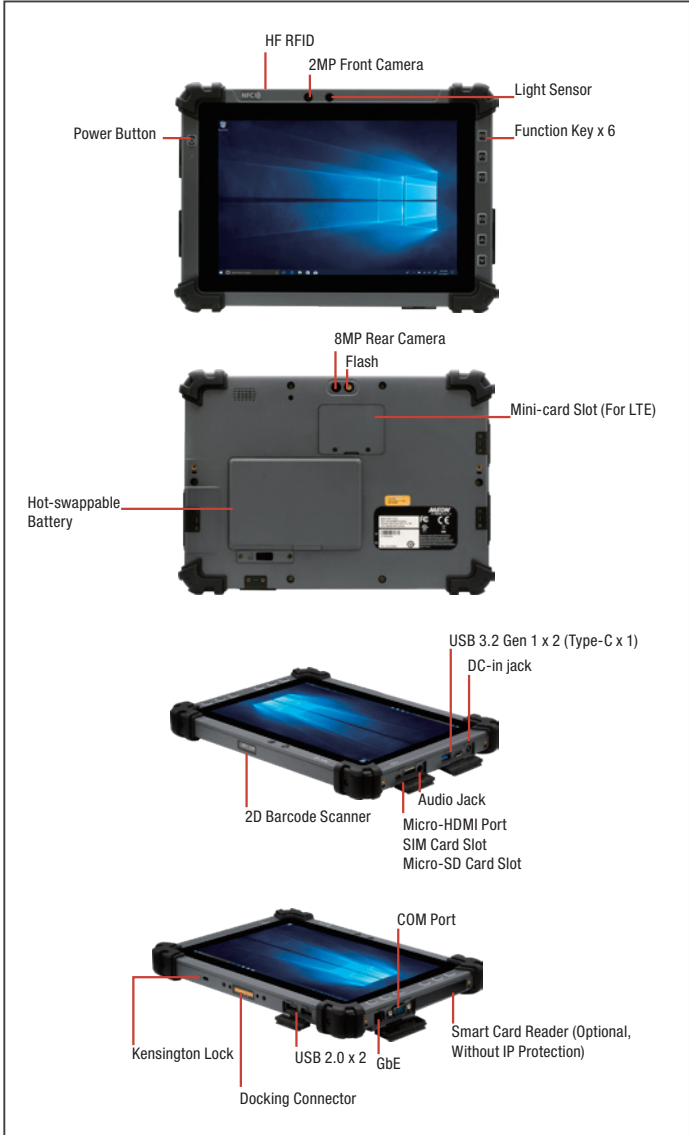


10.1" Rugged Tablet Features with Intel® N3350/N4200 Processor with Windows®



Features

- 10.1" WXGA (1280 x 800) 800-nit / 300-nit TFT LCD
- Intel® Celeron™ N3350 1.1 GHz Dual Core Up to 2.4 GHz (N4200 Optional)
- Onboard DDR3L Memory, 4GB (Default)
- eMMC 64GB (mSATA III Up to 512GB Optional)
- WiFi 802.11b/g/n, Bluetooth 4.2, LTE (Optional)
- 2MP Front and 8MP Rear Camera
- RS-232/422/485 COM Port + 10/100/1000 Base-T RJ45
- USB 3.2 Gen 1 x 2 (USB Type-C x 1), USB 2.0 x 2
- 2D Barcode Scanner & Smart Card/ HF RFID Reader (Optional)
- Up to 3 GNSS, GPS+Galileo(Default), GLONASS or BeiDou (Optional)
- One Hot-swappable Battery + Internal Battery, Up to 44W Battery Capacity
- MIL-STD-810G, IP65 Compliant, Drop 122cm
- Programmable Function Key: F0, F1, F2, F3, Volume Up/Down, With LED Illumination
- Windows® 10 IOT



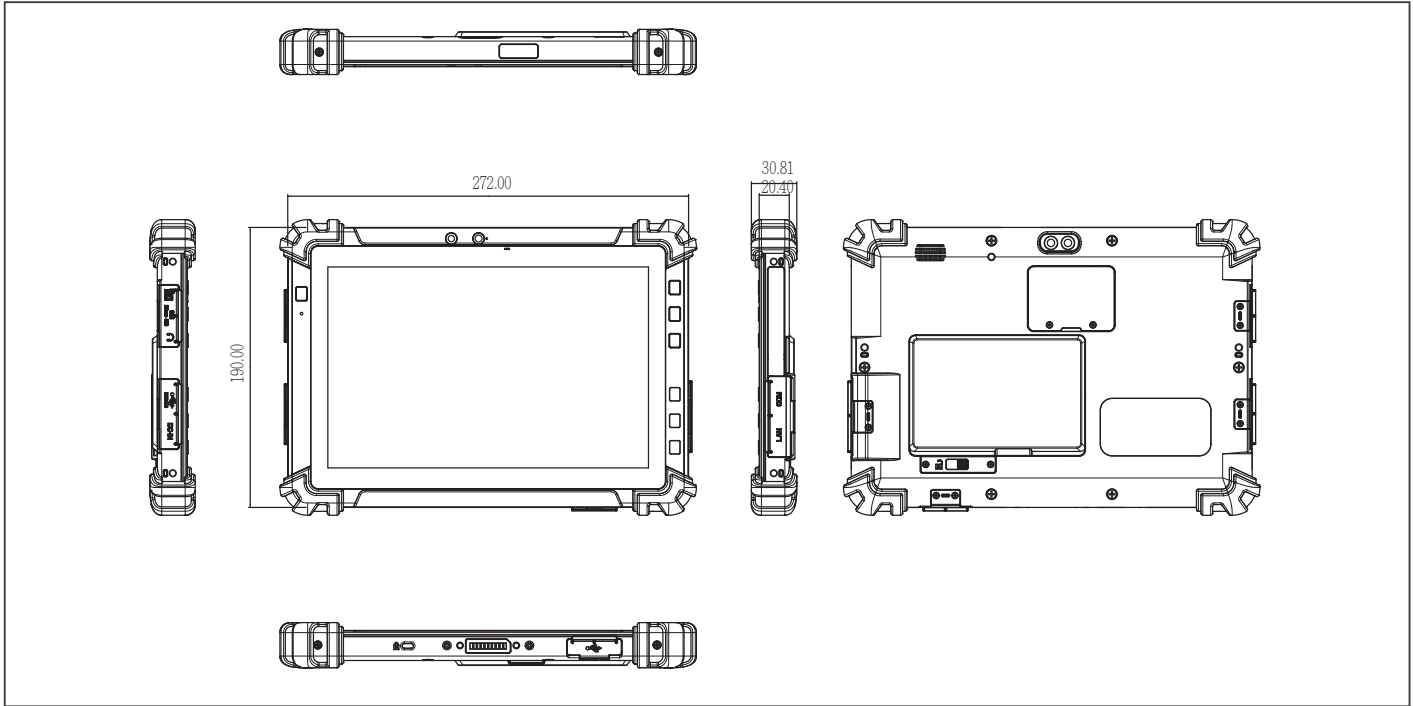
Specifications

System Architecture	
Processor	Intel® Celeron® N3350 1.1GHz Dual core up to 2.4GHz Intel® Pentium® N4200 1.1GHz Quad core up to 2.5GHz
Operating System	Windows® 10 IOT Enterprise SAC
Memory	Onboard DDR3L 4GB (Default)
Storage	eMMC 64GB (mSATA III up to 512GB via inside mini-card slot, Optional)
Display	10.1" WXGA (1280x800) 800-nit / 300-nit TFT LCD With Projected Capacitive Multi-Touch Screen
I/O Port	Micro-HDMI port x 1 SIM card slot x 1 Micro-SD card slot x 1 Audio jack x 1 USB 3.2 Gen 1 x 2 (USB Type-C x 1), USB 2.0 x 2, DC-in jack x 1, RS-232/422/485 COM Port x 1, 10/100/1000 Base-T RJ45 x 1, Smart card reader x 1 (Optional, Without IP protection)
Communication	Wi-Fi 802.11 b/g/n, Bluetooth v4.2 (EDR+BLE)
Navigation	Up to 3 GNSS, GPS + Galileo (Default), GLONASS or BeiDou (Optional)
WWAN(optional)	LTE via mini-card slot (Optional)
Camera	2MP front camera, 8MP rear camera with flash
Sensor	G-sensor, E-compass, Gyro-sensor, Light-sensor
Expansion Slot	Inside mini-card slot x 1, Mini-card slot x 1, Docking connector: USB 2.0 x 1
Barcode Scanner (Optional)	2D Barcode scanner, OPTICON MDI-4100-USB (Optional)
HF RFID (Optional)	ISO 15693 (R/W) ISO 18092 (R/W) ISO 14443-A (R/W) ISO 14443-B (Only Read UID) Depend on card type

Physical Key	F0 or Windows (Windows Start Key), F1(BCR Trigger Button (When BCR is enabled)), F2(Screenprint), F3(Ctrl+Alt+Del as Soft Reboot), Volume Up, Volume Down
Mechanical	
Color	Black & Dark Gray
Dimension (W x H x D)	10.71" x 7.48" x 0.80" (272.0 mm x 190.0 mm x 20.4 mm)
Gross Weight	2.2 lb (1.0 Kg) based on configurations
Environmental	
Operating Temperature	-4°F ~ 122°F (-20°C ~ 50°C)
Storage Temperature	-67°F ~ 158°F (-55°C ~ 70°C)
Humidity	0% ~ 90% relative humidity, non-condensing
Environmental Sealing	IP65
Vibration	MIL-STD-810G-514.6 Procedure I Cat.24, Fig 514.6E-1 & 514.6E-2 (Unit is non-operating) ASTM 4169-99 Truck Assurance Level II, Schedule E (Unit is non-operating)
Drop	MIL-STD-810G-516.6, Procedure IV Drop height: 122 cm Number of Drop: 26 times, for all surfaces, edges and corners Condition: Based on 2" plywood over concrete
ESD	Air charge: +/- 8KV, Contact charge: +/- 4KV
Certifications and Standards	UL60950-1, CE, FCC
Power Supply	
AC / DC Adapter	AC 100 ~ 240 V, 50 ~ 60 Hz, Output: 12V/ 3A/ 36W
Battery Life	Li-ion Battery 8-hour battery life based on test configurations
Master Battery	Hot-swappable battery: 14.4V, 2270mAh, 32.7W
Slave Battery	7.4V, 1530mAh, 11.3W
Display	
LCD	10.1" TFT-LCD/ 16:10 with LED backlight
Resolution	1280 x 800
Maximum Color	N/A
Dot Size	0.1692 (H) x 0.1692 (V) mm
Brightness	300 nits (800 nits optional)
Viewing Angle	Horizontal: 170° (Typ.), Vertical: 170° (Typ.)
Touch Screen	
Touch Type	Projected capacitive multi-touch screen (PCT)
Light Transmission	Min 85%

Dimension

Unit: mm



Packing List

- 12V Power Adaptor
 - RTC-1010
- *Power cord must be purchased separately.

Optional Accessories

- **RDS-411-000**
Docking Station
- **RDS-411-001**
Docking Station, W/ Stand
- **RBC-1200-000**
4-bay Battery Charger
- **RTC-1010-HS-000**
Hand Strap
- **RTC-1010-SB-000**
Shoulder Belt, 2 Points
- **RTC-1200BAT01-000**
Battery Pack, 14.4V, 2270mAh , 2 pcs/Box
- **1255900363**
DC-To-DC Power Adaptor, Flying Wires
- **1255900364**
DC-To-DC Power Adaptor, Cigarette Plug

Ordering Information

Part Number	CPU	OS	LCD Display	Touch Screen	System Memory	Storage	Expansion I/O	Sensor	WiFi/ Bluetooth	Navigation	LTE Bands (MHz)	Camera	2D Barcode Scanner	HF RFID	Battery	Power
RTC-1010-R0004	N3350	Windows® 10 IOT	10.1" 300 nits	PCT 10 points	DDR3L 4GB	eMMC 64GB	Micro-HDMI port x 1, SIM card slot x 1, Micro-SD card slot x 1, Audio jack x 1, USB 3.2 Gen 1 x 2 (USB Type-C x 1), USB 2.0 x 2, DC-in jack x 1	G-sensor E-compass Gyro-sensor Light-sensor	802.11 b/g/n + BT4.2	—	—	Front: 2MP	—	—	32.7W	DC12V
RTC-1010-R0005	N3350	Windows® 10 IOT	10.1" 300 nits	PCT 10 points	DDR3L 4GB	eMMC 64GB	Micro-HDMI port x 1, SIM card slot x 1, Micro-SD card slot x 1, Audio jack x 1, USB 3.2 Gen 1 x 2 (USB Type-C x 1), USB 2.0 x 2, DC-in jack x 1, RS-232/422/485 COM Port x 1, 10/100/1000 Base-T RJ45 x 1	G-sensor E-compass Gyro-sensor Light-sensor	802.11 b/g/n + BT4.2	GPS / Galileo / GLONASS	—	Front: 2MP Rear: 8MP w/ Flash	—	—	32.7W + 11.3W	DC12V
RTC-1010-R0001	N3350	Windows® 10 IOT	10.1" 300 nits	PCT 10 points	DDR3L 4GB	eMMC 64GB	Micro-HDMI port x 1, SIM card slot x 1, Micro-SD card slot x 1, Audio jack x 1, USB 3.2 Gen 1 x 2 (USB Type-C x 1), USB 2.0 x 2, DC-in jack x 1, RS-232/422/485 COM Port x 1, 10/100/1000 Base-T RJ45 x 1	G-sensor E-compass Gyro-sensor Light-sensor	802.11 b/g/n + BT4.2	GPS / Galileo / GLONASS	—	Front: 2MP Rear: 8MP w/ Flash	Yes	Yes	32.7W + 11.3W	DC12V
RTC-1010-R0003	N4200	Windows® 10 IOT	10.1" 300 nits	PCT 10 points	DDR3L 4GB	eMMC 64GB	Micro-HDMI port x 1, SIM card slot x 1, Micro-SD card slot x 1, Audio jack x 1, USB 3.2 Gen 1 x 2 (USB Type-C x 1), USB 2.0 x 2, DC-in jack x 1, RS-232/422/485 COM Port x 1, 10/100/1000 Base-T RJ45 x 1	G-sensor E-compass Gyro-sensor Light-sensor	802.11 b/g/n + BT4.2	GPS / Galileo / GLONASS	—	Front: 2MP Rear: 8MP w/ Flash	Yes	Yes	32.7W + 11.3W	DC12V
RTC-1010-RH0005	N3350	Windows® 10 IOT	10.1" 800 nits	PCT 10 points	DDR3L 4GB	eMMC 64GB	Micro-HDMI port x 1, SIM card slot x 1, Micro-SD card slot x 1, Audio jack x 1, USB 3.2 Gen 1 x 2 (USB Type-C x 1), USB 2.0 x 2, DC-in jack x 1, RS-232/422/485 COM Port x 1, 10/100/1000 Base-T RJ45 x 1	G-sensor E-compass Gyro-sensor Light-sensor	802.11 b/g/n + BT4.2	GPS / Galileo / GLONASS	—	Front: 2MP Rear: 8MP w/ Flash	—	—	32.7W + 11.3W	DC12V
RTC-1010-RH0003	N4200	Windows® 10 IOT	10.1" 800 nits	PCT 10 points	DDR3L 4GB	eMMC 64GB	Micro-HDMI port x 1, SIM card slot x 1, Micro-SD card slot x 1, Audio jack x 1, USB 3.2 Gen 1 x 2 (USB Type-C x 1), USB 2.0 x 2, DC-in jack x 1, RS-232/422/485 COM Port x 1, 10/100/1000 Base-T RJ45 x 1	G-sensor E-compass Gyro-sensor Light-sensor	802.11 b/g/n + BT4.2	GPS / Galileo / GLONASS	—	Front: 2MP Rear: 8MP w/ Flash	Yes	Yes	32.7W + 11.3W	DC12V

10 RDS-411

Rugged Docking Station for RTC-1010/ RTC-1010M

Rugged Tablet Computers



Features

- Apply on RTC-1010/ RTC-1010M
- Front-facing I/Os: USB 2.0 x 2 with Protection Cover
- Downward-facing I/Os for Easy Cable Management: USB 2.0 x 2, RS-232 x 1 (Two: Optional), RJ45 GbE x 1, DC-in Phoenix Connector x 1
- Wide Voltage Input: 9VDC ~ 36VDC
- Power Adaptor: AC Power Adaptor (Default)
- Anti-theft Lock with Key & VESA Mount

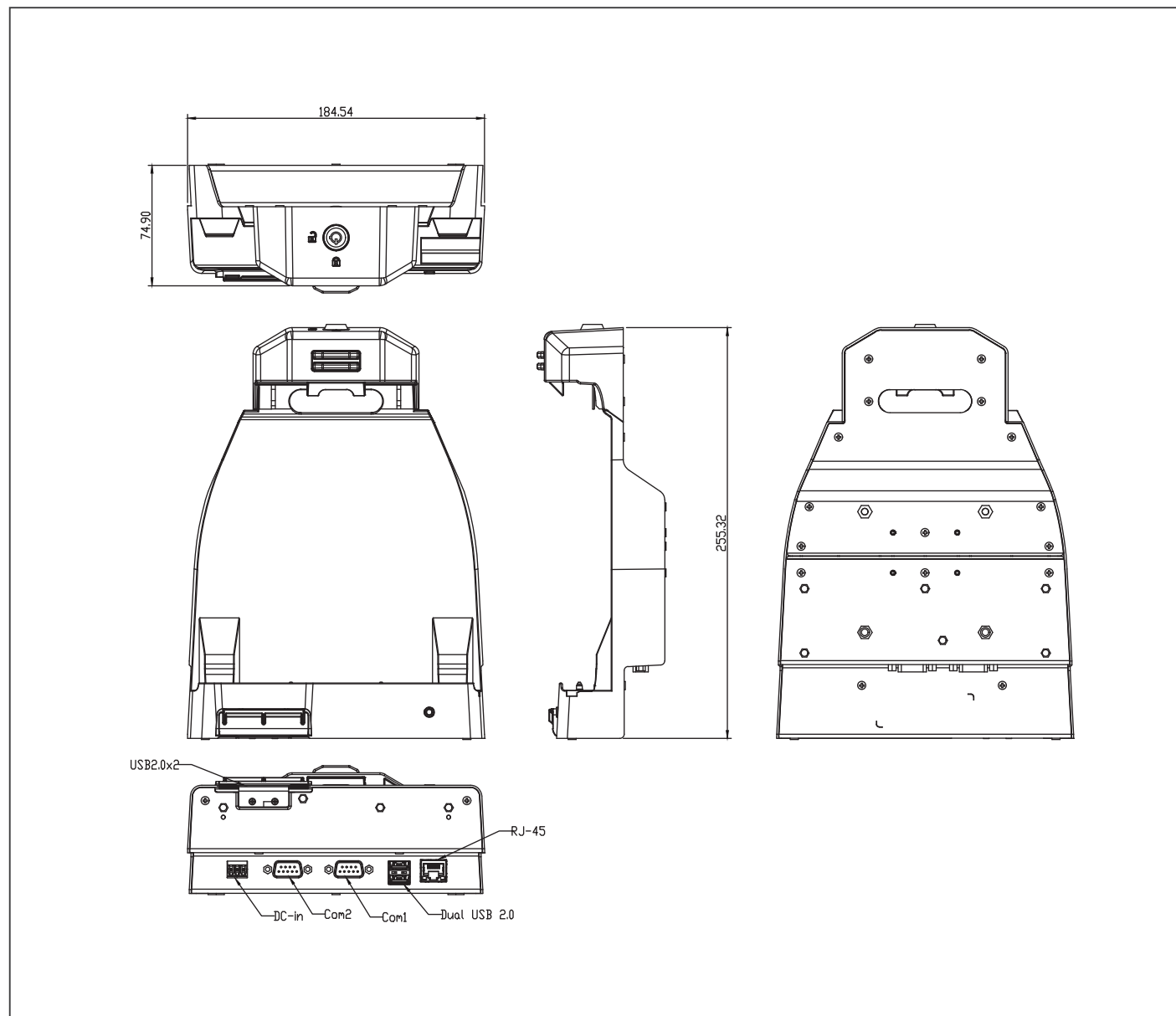


Specifications

System	
I/O	Front-facing I/Os: USB 2.0 x 2 with protection cover Downward-facing I/Os: USB 2.0 x 2 RS-232 x 1 (Two: Optional) RJ45 GbE x 1
DC Input	Phoenix connector: DINKLE ECH381H-03P Wide Voltage Input: DC 9V to 36V Mating connector: DINKLE EC381V-03P
LED Indicator	Orange: DC in w/o Tablet Blue: DC in w/ Tablet
Others	Anti-theft lock with key & VESA mount
Mechanical	
Color	Black
Construction	PC
Dimensions (W x H x D)	10.08" x 7.28" x 2.96" (256 x 185 x 75 mm)
Gross Weight	6.17 lb (2.8 Kg)
Environmental	
Operating Temperature	32°F ~ 122°F (0°C ~ 50°C)
Storage Temperature	14°F ~ 140°F (-10°C ~ 60°C)
ESD	Air charge: +/- 8KV Contact charge: +/- 4KV
EMC/ Safety	CE/FCC Class B/UL
Power Supply	
AC/DC Adapter	AC 100 ~ 240 V, 50 ~ 60 Hz, Output: 12V/ 3.34A/ 40W DC connector: DINKLE EC381V-03P
DC/DC Adapter	N/A

Dimension

Unit: mm



Ordering Information

- **RDS-411-000**
Docking Station.USBx4.RS-232.RJ45.DC Connector.9-36V Input
- **RDS-411-001**
Docking Station.USBx4.RS-232.RJ45.DC Connector.9-36V Input.W/ Stand

Packing List

- **12V / 40W AC Power Adapter**
- **RDS-411**

*Power cord must be purchased separately.

Optional Accessories

- **170203J000**
DC Input Cable. 2 Meters. One Side With Mating Connector: DINKLE EC381V-03P. One Side With Flying Wires.

RBC-1200-000

4-bay Battery Charger for RTC-1010/ RTC-1010M, RTC-1200



Specifications

Mechanical	
Color	Black
Dimensions (W x H x D)	140.5 x 68.4 x 121.87 mm
Power Supply	
AC/DC Adapter	AC power input:100-240V, 50Hz-60Hz, 65W, DC power output: 19V/3.42A

Ordering Information

- **RBC-1200-000**
4-bay Battery Charger

RTC-1200BAT01-000

Battery Pack for RTC-1010/ RTC-1010M, RTC-1200



Specifications

Mechanical	
Color	Black
Dimensions (W x H x D)	71.5 x 110 x 13.3 mm
Capacity	
Capacity	14.4V, 2270mAh, 32.7W

Ordering Information

- **RTC-1200BAT01-000**
Battery Pack, 14.4V, 2270mAh, 2 pcs/Box

* This item can be shipped by air based on dangerous goods shipment with extra shipping charge.

RTC-1010-HS-000

Hand Strap for RTC-1010/ RTC-1010M

Rugged Tablet Computers: Accessories



Specifications

Mechanical	
Color	Black
Dimensions (W x H x D)	232 x 92 x 30 mm

Ordering Information

- **RTC-1010-HS-000**
Hand Strap

RTC-1010-SB-000

Shoulder Belt for RTC-1010/ RTC-1010M



Specifications

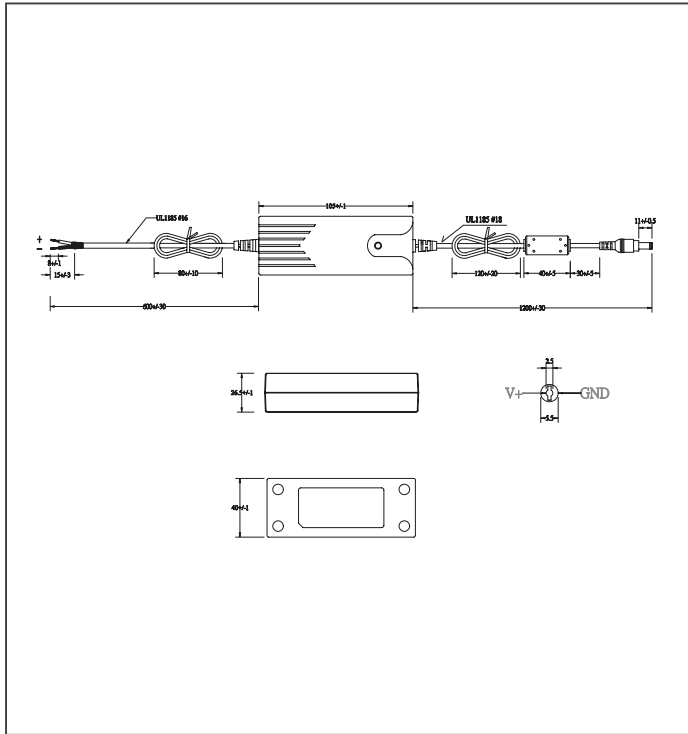
Mechanical	
Color	Black
Dimensions (W x H x D)	1050 x 65 x 5 mm

Ordering Information

- **RTC-1010-SB-000**
Shoulder Belt, 2 Points

1255900363

DC-To-DC Power Adapter, Flying Wires for RTC-1010/ RTC-1010M



Specifications

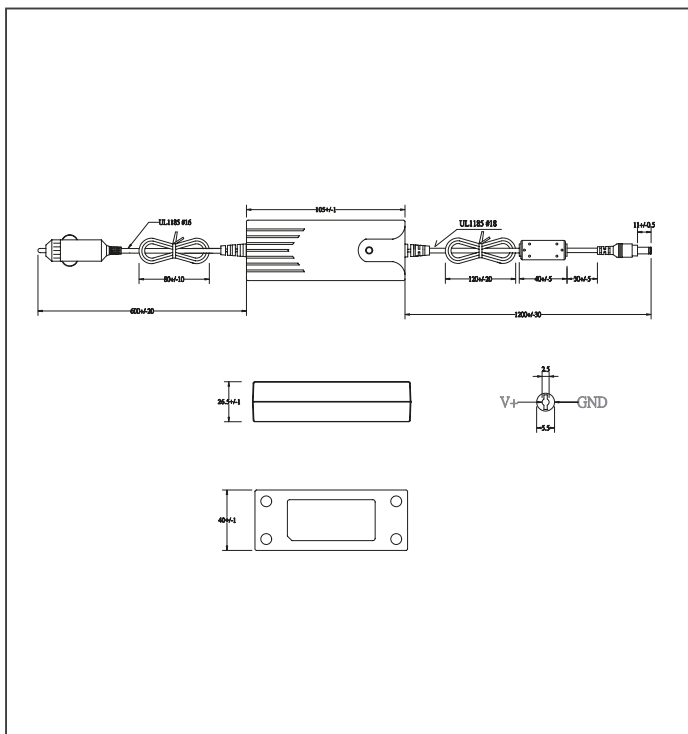
Mechanical	
Color	Black
Dimensions (W x H x D)	Adapter case: 40 x 105 x 26.5 mm Plug side length: 1200 ± 30 mm Flying Wires side length: 600 ± 30 mm Total length: 1905 ± 60 mm

Ordering Information

- **1255900363**
DC-To-DC Power Adapter, 12V to 36V Input, 12V/3A Output, One End-DC Jack, One End-Two Flying Wires

1255900364

DC-To-DC Power Adapter, Cigarette Plug for RTC-1010/ RTC-1010M



Specifications

Mechanical	
Color	Black
Dimensions (W x H x D)	Adapter case: 40 x 105 x 26.5 mm Plug side length: 1200 ± 30 mm Cigarette Plug side length: 600 ± 50 mm Total length: 1905 ± 50 mm

Ordering Information

- **1255900364**
DC-To-DC Power Adapter, 12V to 36V Input, 12V/3A Output, One End-DC Jack, One End-Cigarette Plug