

ENCASED TRANSFORMERS FOR ELECTRIC TOOLS

PFN



PFN transformers, as separation portable devices, are dedicated for powering electric tools or other similar appliances for constant or intermittent work.

Rated voltage PRI: 230V 50Hz

Rated voltage SEC: 230V

Rated power for intermittent work 33%: P33 - see table below

Rated power for constant work: Pn - see table below

Ambient temperature: $t_a 25^{\circ}\text{C}$

Insulation class: II lub II+PE (with the continuity of protection circuit)

Protection grade: IP44

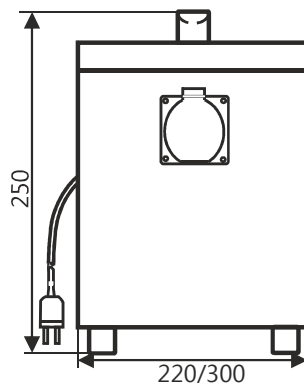
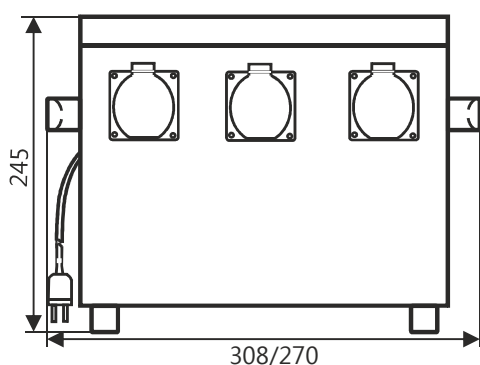
Manufactured in compliance with:

PN-EN 61558-1:2009, PN-EN 61558-2-4:2009

Transformer construction

- solid metal IP44 housing
- 2,2m powering cable with 250/16A* plug
- output 250V/16A IP44* socket
- thermal protection fuse on primary winding with a button (fuse current according to table)
- winding thermal insulation class F (155°C)

*2 or 3 contact plugs and sockets mounted in standard, other performances available on customers' request



Typ	Insulation class	P33 [VA]	I _{max} [A]	P _n [VA]	Weight [kg]	Socket	I _n [A]	Fuse current [A]
PFN 2400/1500	II	2400	11	1500	20,0	1 SEC	6,5	12
PFN 2400/1500	II	2400	11	1500	20,0	3 SEC	6,5	12
PFN2401/1501	II+PE	2400	11	1500	20,0	1 SEC	6,5	12
PFN2401/1501	II+PE	2400	11	1500	20,0	3 SEC	6,5	12
PFN3500/2300	II	3500	15	2300	26,0	1 SEC	10,0	16
PFN3500/2300	II	3500	15	2300	26,0	3 SEC	10,0	16
PFN3501/2301	II+PE	3500	15	2300	26,0	1 SEC	10,0	16
PFN3501/2301	II+PE	3500	15	2300	26,0	3 SEC	10,0	16
PFN4200/2800	II	4200	18	2700	33,6	3 SEC	12,0	25
PFN4201/2801	II+PE	4200	18	2700	33,6	3 SEC	12,0	25

- Column "Fuse current [A]" shows the maximum current for one socket in one-socket PFN versions

- Column "Fuse current [A]" shows the maximum current for one socket in two- and three-socket PFN versions

but when using two or three sockets at one time, column "Fuse current [A]" shows the sum of all currents from these sockets

As a result of constant development of product construction and changes concerning technical requirements, Breve Tufvassons reserves the right to change the parameters mentioned above.

