

1

2

3

4

5

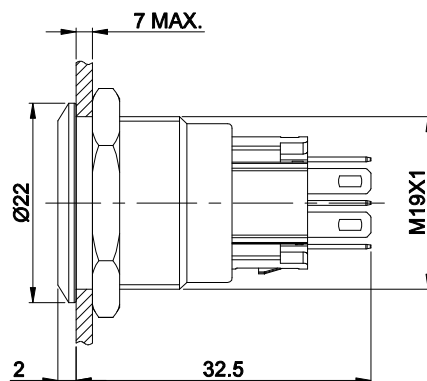
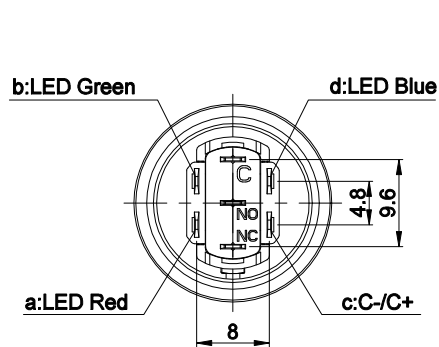
6

7

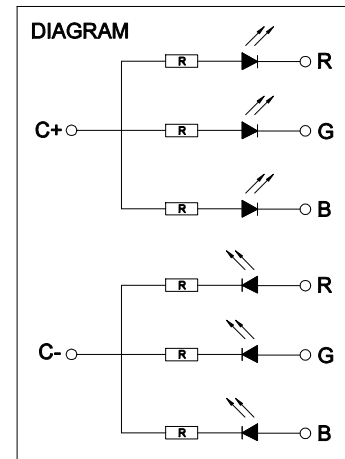
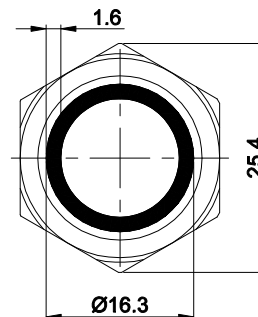
FOR  
客户名称APPROVED  
客户确认签字ATTN  
销售负责人

A

A

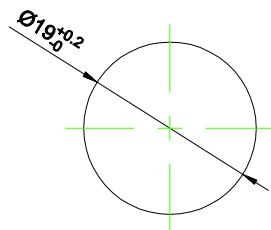


THE SHADED PART IS ILLUMINATED

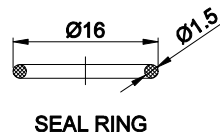


B

B



PANEL CUTOUT



SEAL RING

PART NUMBER: ONPOW6119F-11 ■E/△RGB/▲S/◎

"■"	OPERATION MODE	"△"	LED COMMON PIN	"▲"	LAMP VOLTAGE	"◎"	IP CLASS
NO LETTER	MOMENTARY	41	COMMON PIN IN CATHODE(C-)	6V	DC 6V	NO LETTER	IP40
Z	LATCHING	42	COMMON PIN IN ANODE(C+)	12V	DC 12V	P	IP65
				24V	DC 24V		
				OTHER VOLTAGE CAN BE MADE TO ORDER			

D

D

## SPECIFICATIONS:

- SWITCH RATING: AC220V/0.5A.
- MECHANICAL LIFE: ≥1,000,000 cycles.
- ELECTRICAL LIFE: ≥50,000 cycles.
- CONTACT RESISTANCE: ≤50mΩ.
- INSULATION RESISTANCE: ≥100MΩ(500VDC).
- DIELECTRIC STRENGTH: 1,500V, RMS 50HZ, 1min.
- OPERATING TEMPERATURE: -25°C ~ +55°C(NO FREEZING).
- OPERATING FORCE: ABOUT 2.5N.
- OPERATING TRAVEL: ABOUT 3mm.
- TORQUE: ABOUT 0.6Nm MAX.APPLIED TO NUT.
- IP CLASS: IP40(IP65 CAN MADE TO ORDER), IK07.
- TERMINAL TYPE: PIN TERMINAL(2.8 X 0.5mm).
- GENERAL TOLERANCE: 0-18mm=±0.25, 18-80mm=±0.52.

## MATERIALS:

- CONTACT: SILVER ALLOY.
- BUTTON: STAINLESS STEEL.
- BODY: STAINLESS STEEL.
- BASE: PA.

E

E

BRAND 品牌		红波按钮制造有限公司			
ONPOW 欧宝龙®		ONPOW PUSH BUTTON MANUFACTURE CO.,LTD.			
TITLE 名称	ONPOW61 SERIES ANTI-VANDAL INDICATOR			UNIT 单位	mm
DWG NO. 图号	ONPOW6119-E-RGB	SCALE 比例	1.2 : 1	SIZE 图纸	A4
FILE NAME 档案名称	ONPOW6119-E.DWG	DRAWN 制图	YDY 2022/03/04	SHEET 张	1/1
		REV. 更改			1

1

2

3

4

5

6

7