

SPECIFICATIONS

[General Specifications]

Model	5 tiers	MPS-502
	4 tiers	MPS-402
	3 tiers	MPS-302
	2 tiers	MPS-202
	1 tier	MPS-102
UL Registered Model		MPS-02
Rated Voltage		24V AC/DC (50/60Hz)
Operating Voltage Range		Rated Voltage $\pm 10\%$
Signal Wire Current	Typ.	Per Unit
		Red:29.0mA, Amber:29.5mA, Green:17.1mA, Blue:17.1mA, White:17.1mA
	Max.	Per Unit
		Red:32.7mA, Amber:34.5mA, Green:21.4mA, Blue:21.4mA, White:21.4mA
Operating Ambient Temperature		-30°C to +60°C
Operating Ambient Humidity		Less than 90% (No condensation)
Mounting Location		Indoors
Mounting Direction		Upright
Protection Rating		IP65 (IEC 60529)
Vibration Resistance		19.6m/s ²
Insulation Resistance		More than 1M Ω at 500VDC between the terminals and the chassis
Withstand Voltage		500VAC applied for 1min between terminals and chassis without breaking insulation
Luminous Intensity		Red:550mcd, Amber:650mcd, Green:1900mcd, Blue:700mcd, White:1600mcd
Mass (Tolerance $\pm 10\%$)		1 tier:0.11kg, 2 tiers:0.13kg, 3 tiers:0.15kg, 4 tiers:0.17kg, 5 tiers:0.19kg
Outer Dimensions		Refer to the Outer Dimension Drawing
Conformity Standards		EMC Directive (EN 61000-6-4, EN 61000-6-2) RoHS Directive (EN IEC 63000) UL 508, CSA-C22.2 No. 14
Remarks		Conforms to the CE requirements UL Recognized Component (File No.E215660)

Model Number Configuration

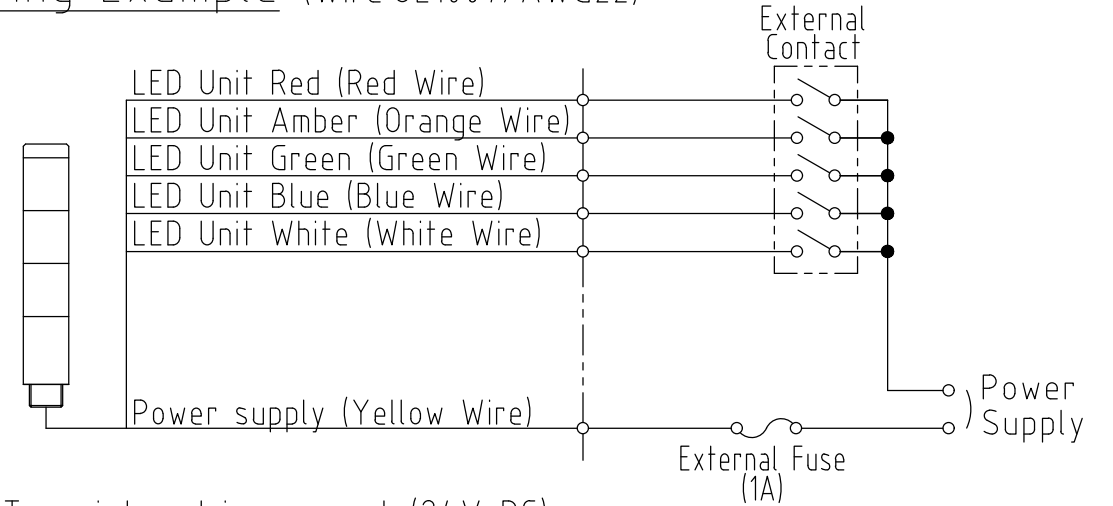
MPS — 02 —

- | | |
|---|---|
| <p>Tier</p> <p>1 : 1 tier</p> <p>2 : 2 tiers</p> <p>3 : 3 tiers</p> <p>4 : 4 tiers</p> <p>5 : 5 tiers</p> | <p>Luminous Color</p> <p>R : Red</p> <p>Y : Amber</p> <p>G : Green</p> <p>B : Blue</p> <p>C : White</p> |
|---|---|

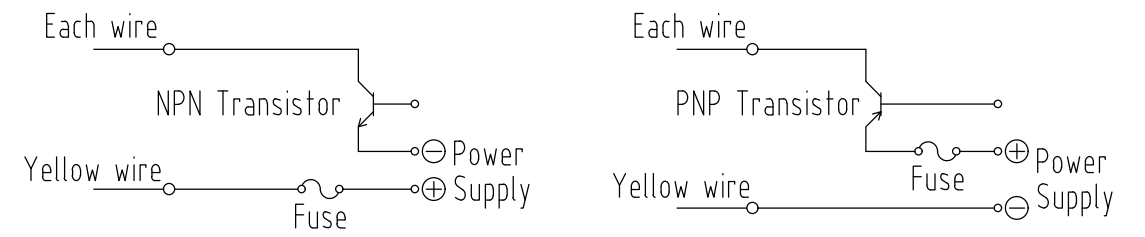
指定公差 General tolerance		角度公差 Angular tolerance ±[°]		寸法公差 Dimensional tolerance ±[mm]					図番 Drawing No.		ページ Page	
短辺長さ Length of short side	~	~100	6	30	120	300	1000	改訂 Rev.	年月日 Date	改訂履歴 Revisions	2 / 2	
	10	50	100	精 f	0.05	0.1	0.2				0.4	0.6
	精 f	1	0.5	0.3	0.1	中 m	0.1	0.3	0.5	0.7	1	
粗 v	3	1.5	1	0.5	粗 c	0.3	0.5	1	1.2	2		

MPS-502-W18

Wiring Example (wire:UL1007/AWG22)

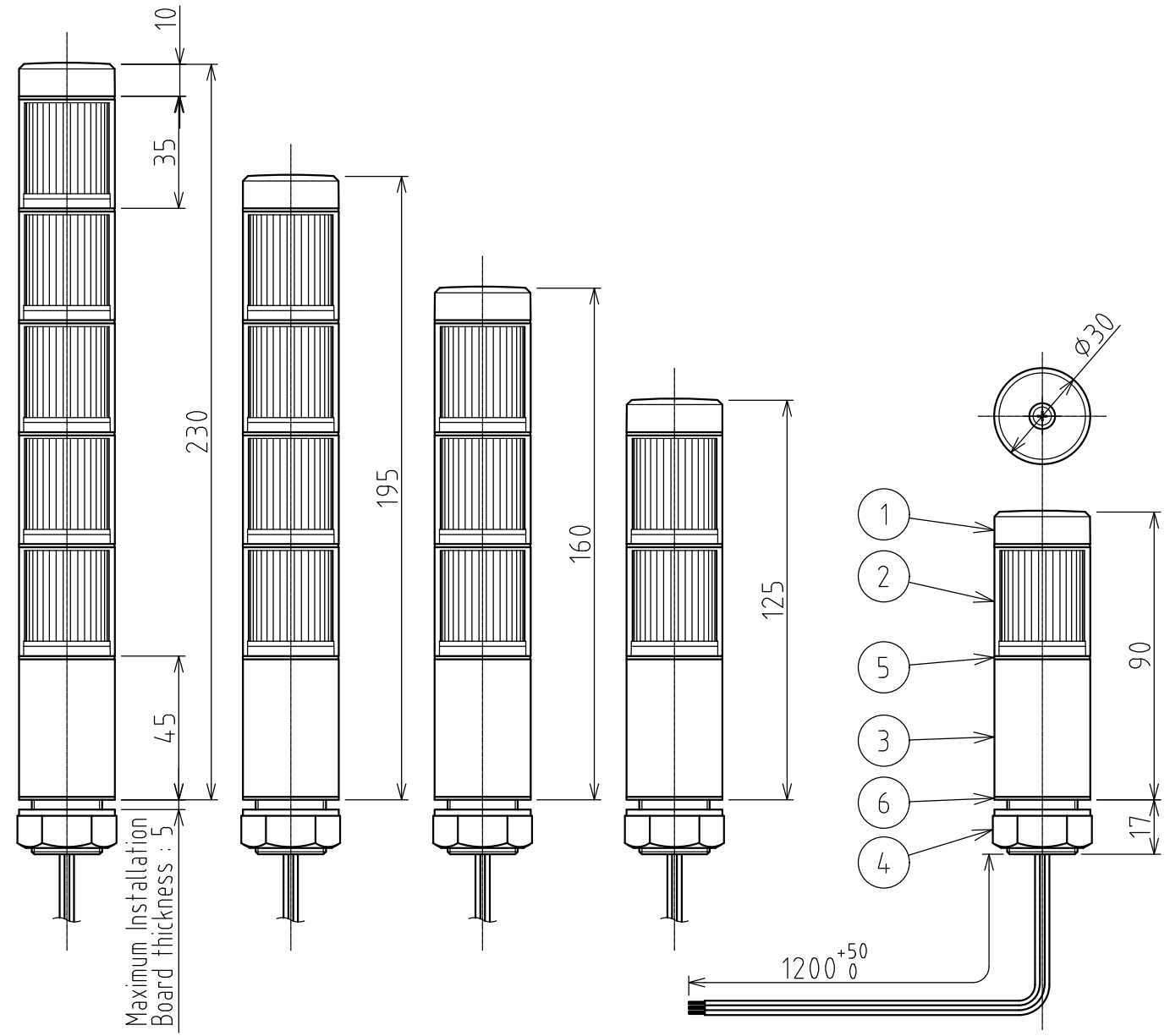
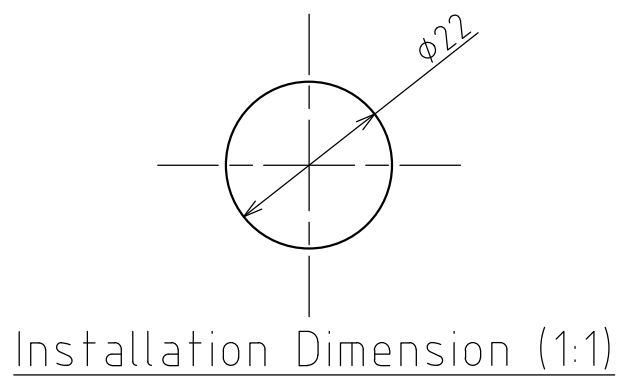


Transistor drive example(24V DC)



Note

1. When wiring is completed, insulate the end of each unused wire with insulation tape.
2. Use a "Class 2 Circuit" for power supply source.
3. Use the fusefolder authorized by UL standard.
4. Use the fuse conforming to the rated current of the machine which the product was installed on.
(Example : Class J type fuse)
5. Fasten nut with the torque of $3.5 \pm 0.5 \text{ N}\cdot\text{m}$.



Outer Dimensions

6	Waterproof Sheet	1	CR,Black
5	O Ring	n+1	Si, Gray
4	Nut	1	M22,P=1.5
3	Body	1	ABS, Silver coating
2	LED Unit	n	Lens:AS/Reflector:ABS
1	Head Cover	1	ABS, Silver coating
番号 No.	部品名 Part Name	数量 Qty.	記事 Remarks

機種 Model	MPS-502	特注No. S.P.No.	-	図名 Name	Outer Dimensions Drawing
品目コード Part No.	-	尺度 Scale	1:2	三角法 3rd Angle P.	単位 Unit mm
				株式会社 PATLITE Corporation	