

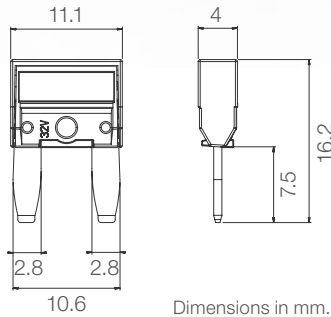
MINIVAL®



GENERAL DESCRIPTION

| | |
|-----------------------------|------------------------------------|
| Breaking capacity | 1000 A |
| Voltage rating | 32 V |
| Ambient temp. + overheating | -40 °C to +125 °C |
| Body material | See table below |
| Cover material | PSU |
| Cover color | Transparent |
| Blade material | Zinc |
| Blade coating | Tin plated |
| Compliant with | ISO 8820-3 (type F) REACH, RoHS |

OVERALL DIMENSIONS



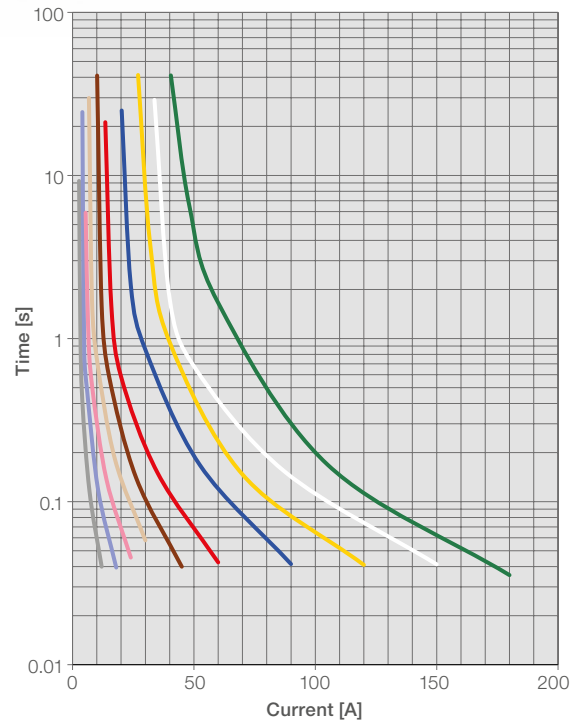
MELTING TIME AND CURVE

Operating time limits:

| % IR | Min [s] | Max [s] |
|------|---------|---------|
| 110 | 360000 | ∞ |
| 135 | 0.75 | 120* |
| 160 | 0.25 | 50 |
| 200 | 0.15 | 5 |
| 350 | 0.04 | 0.5 |
| 600 | 0.02 | 0.1 |

*Exceeds ISO requirements (600 s).

Melting time graph at 23°C on test module ISO.



RATINGS

| Size [A] | Color coding | Body material | Expected voltage drop [mV] | ISO cable size [mm ²] | I ² t* [A ² s] |
|----------|--------------|---------------|----------------------------|-----------------------------------|--------------------------------------|
| 2 | Grey | PC | 128 | 0.35 | 135 |
| 3 | Violet | PC | 122 | 0.35 | 115 |
| 4 | Pink | PC | 121 | 0.35 | 156 |
| 5 | Beige | PC | 112 | 0.5 | 217 |
| 7.5 | Brown | PC | 110 | 0.75 | 256 |
| 10 | Red | PC | 106 | 1.0 | 387 |
| 15 | Blue | PC | 105 | 1.5 | 720 |
| 20 | Yellow | PC | 97 | 2.5 | 980 |
| 25 | Natural | PSU | 96 | 2.5 | 1344 |
| 30 | Green | PSU | 95 | 4.0 | 1692 |

*Calculated from breaking capacity test.

RERATING CURVE

