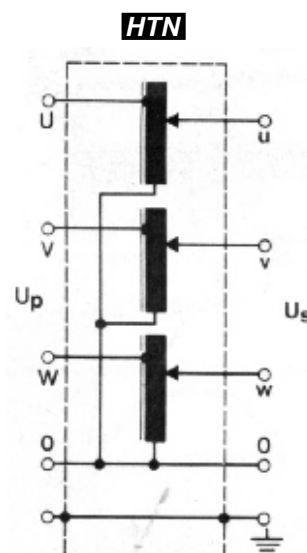
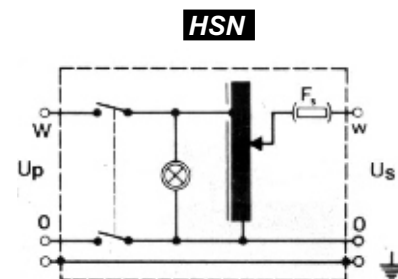


HSN, HTN - Single and Three-Phase Variable Transformers in housing



HSN - Technical Data

Typ	U_p (V)	U_s (V)	I_s (A)	P (VA)	Mass (kg)	Model
HSN 260/4.5	230	0 - 260	4,5	1170	5.4	M100
HSN 260/8	230	0 - 260	8,0	2080	7,9	M200
HSN 260/10	230	0 - 260	10,0	2600	10.1	M250
HSN 260/15	230	0 - 260	15,0	3900	18.6	M300
HSN 260/20	230	0 - 260	20,0	5200	20.1	M400
HSN 260/30	230	0 - 260	30,0	7800	28.2	M500

HTN - Technical Data

Typ	U_p (V)	U_s (V)	I_s (A)	P (VA)	Mass (kg)	Model
HTN 450/8	400	0 - 450	8.0	6240	28.7	3/M200
HTN 450/10	400	0 - 450	10.0	7800	34.7	3/M250
HTN 450/15	400	0 - 450	15.0	11700	52.5	3/M300
HTN 450/20	400	0 - 450	20.0	15600	56.0	3/M400
HTN 450/30	400	0 - 450	30.0	23400	79.4	3/M500

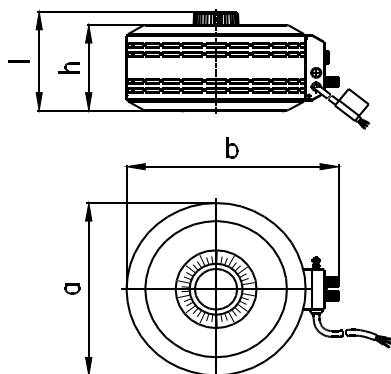
General technical data

- Frequency range:	50 to 400 Hz
- Test voltage:	2,5 kV (AC 50 Hz)
- Protection class:	I
- Ambient temperature:	0 to 25 °C
- Altitude:	up to 1000 m
- Mechanical angle:	340 ° - models up to 3/M200 320 ° - rest models

Dimensions (HSN)

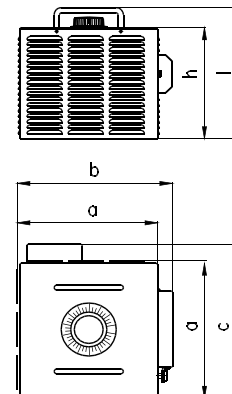
Model	a	b	c	h	l	Drawing
M100	170	220	-	135	155	1
M200	203	253	-	135	155	
M250	270	320	-	135	155	
M300	285	315	-	178	228	2
M400	318	348	-	178	228	
M500	357	387	405	178	228	

Drawing 1



M100, M200, M250

Drawing 2

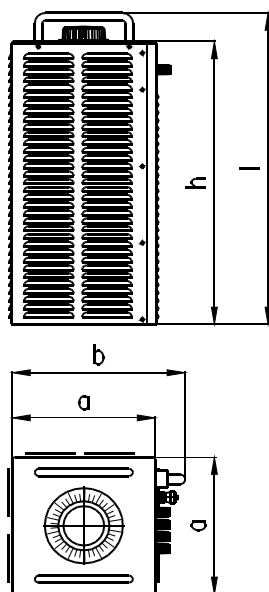


M 300, M400, M 500

Dimensions (HTN)

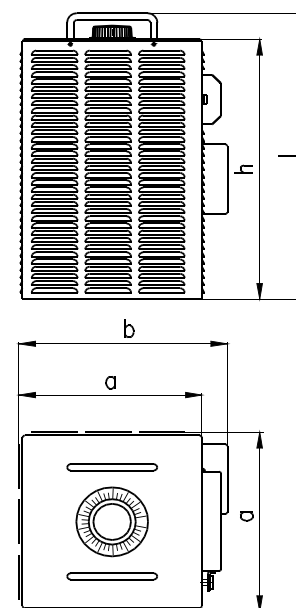
Model	a	b	h	l	Drawing
3/M200	240	285	380	420	3
3/M250	240	285	380	420	
3/M300	285	315	480	520	4
3/M400	318	348	480	520	
3/M500	357	405	540	590	

Drawing 3



3/M200, 3/M250

Drawing 4



3/M300, 3/M400, 3/M500

Subject to technical change without notice!