

# Totalizers mechanic

Stroke, piece and revolution counters

Display 4- or 5-digits, reset button

H 127, T 127, U 127



H 127 - Stroke counter



T 127 - Piece counter with lever



U 127 - Revolution counter

## Features

- Stroke, piece and revolution counters
- Adding
- Display 5-digits (H 127, U 127)
- Display 4-digits (T 127)
- Manual reset by knurled knob

## Technical data - mechanical design

Display	White numbers on black
Digit height	4.5 mm
Reset	Reset by knurled knob
Ambient temperature	0...+60 °C
Housing type	Surface mount housing with mounting plate
Housing colour	Grey
Dimensions W x H x L	40 x 29 x 27.5 mm
Dimensions mounting plate	40 x 46 mm
Mounting	Base plate, 2 long mounting holes
Weight approx.	90 g
Materials	Housing: Hostaform POM, grey Base plate: steel zinc-coated

# Totalizers mechanic

## Stroke, piece and revolution counters

### Display 4- or 5-digits, reset button

H 127, T 127, U 127

#### Technical data - mechanical design

##### H 127

Function	Stroke counter
Number of digits	5 digits
Count mode	Adding in a stroke direction to be indicated. 1 stroke = 1 count
Drive shaft	Right or left, $\varnothing 4$ mm
Stroke	$>38^\circ$ to $<60^\circ$
Stroke lever	To be positioned on shaft at will. Stroke lever relocates automatically to start position.
Stroke frequency	$\leq 500$ strokes/min
Measuring range	99 999

##### T 127

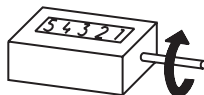
Function	Piece counter with lever
Number of digits	4-digits
Count mode	1 button touch = 1 count
Drive shaft	Only available with lever provided at right
Stroke	$>38^\circ$ to $<60^\circ$
Measuring range	9999

##### U 127

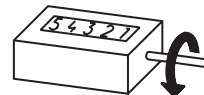
Function	Revolution counter
Number of digits	5 digits
Count mode	Adding in a rotational direction to be indicated, subtracting in reverse direction. 1 rev. = 1 count
Drive shaft	Right or left, $\varnothing 4$ mm
Operating speed	$\leq 2000$ rpm
Measuring range	99 999

#### Direction of strokes and rotation

##### Drive on the right

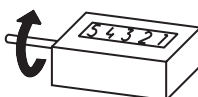


Reset button left  
Away from user  
Sense of rotation or stroke direction I

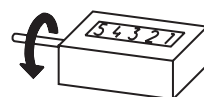


Reset button left  
Toward user  
Sense of rotation or stroke direction II

##### Drive on the left



Reset button right  
Way from user  
Sense of rotation or stroke direction I



Reset button right  
Toward user  
Sense of rotation or stroke direction II

Reset button always opposite of drive.

# Totalizers mechanic

## Stroke, piece and revolution counters

### Display 4- or 5-digits, reset button

H 127, T 127, U 127

#### Part number

##### Stroke counter

H 127.0

- Display / direction of stroke
  - G 5 digits 99 999 / I
  - H 5 digits 99 999 / II
- Count mode / drive
  - 01 1 stroke = 1 digit / drive shaft at right
  - 02 1 stroke = 1 digit / drive shaft at left
- Housing
  - A Surface mount housing, grey
- Reset
  - 1 Reset button at left
  - 2 Reset button at right

##### Piece counter

T 127.

- Design
  - 001 Display 4-digits, stroke direction II, Reset button left, 1 stroke = 1 digit Housing grey, surface mount

##### Revolution counter

U 127.0

- Display / direction of rotation
  - G 5 digits 99 999 / I
  - H 5 digits 99 999 / II
- Count mode / drive
  - 01 1 revolution = 1 digit / drive shaft at right
  - 02 1 revolution = 1 digit / drive shaft at left
- Housing
  - A Surface mount housing, grey
- Reset
  - 1 Reset button at left
  - 2 Reset button at right

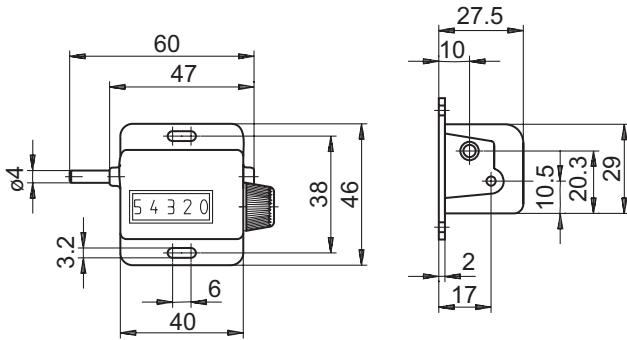
# Totalizers mechanic

Stroke, piece and revolution counters  
Display 4- or 5-digits, reset button

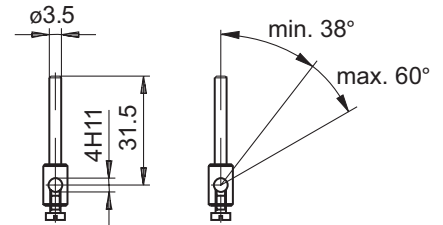
H 127, T 127, U 127

## Dimensions

### H 127, U 127



### Stroke lever and stroke



### T 127

