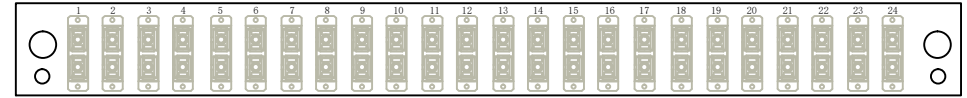
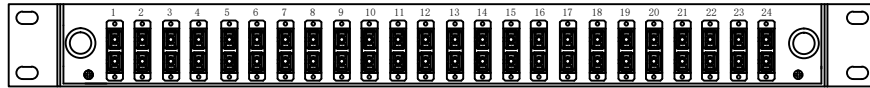
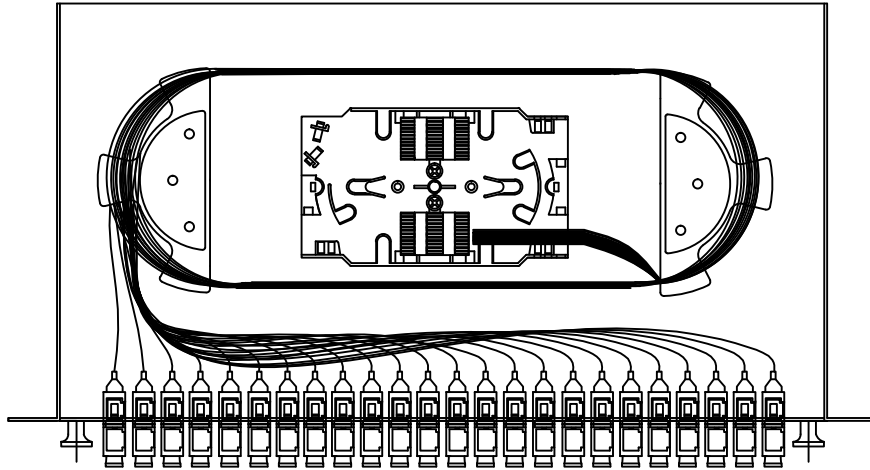
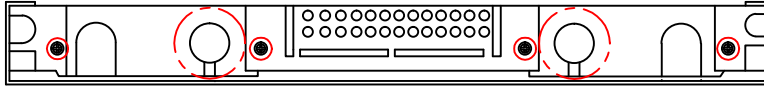
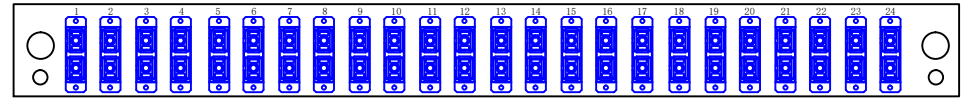


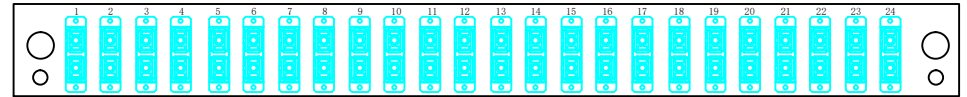
19" 1U Fiber Optic Patch panel Front panel for 24 × SC Duplex Adapter vertical ,Black



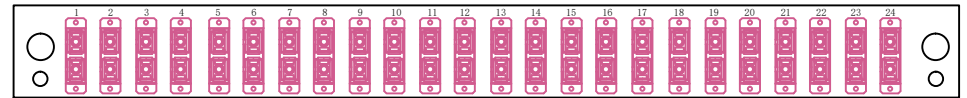
F103233 24 × SC OM2 Beige Duplex Adapter



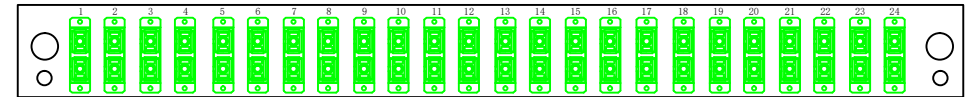
F103230 24 × SC OS2 Blue Duplex Adapter



F103234 24 × SC OM3 Aqua Duplex Adapter



F103235 24 × SC OM4 Erika Violet Duplex Adapter



F103229 24 × SC APC Duplex Adapter

MATERIAL LIST:

⑥	Screw	ST 2*10 Screw	48	
⑤	Push pin	ABS OD:15.8	2	
④	Spool	Fibre cable management Spool	2	
③	Splicing tray	24 Core Splicing tray	2	
②	Pigtail	Pigtail SC 12 different colours	4	
①	Adapter	SC Duplex Adapter	24	
NO.	PARTS NAME	SPECIFICATION DESCRIPTION	QT' Y	REMARK
		NEW	2016. 08. 25	A
BY	CHK	REVISION RECORD MODIFICATIONS	DATE	REV.

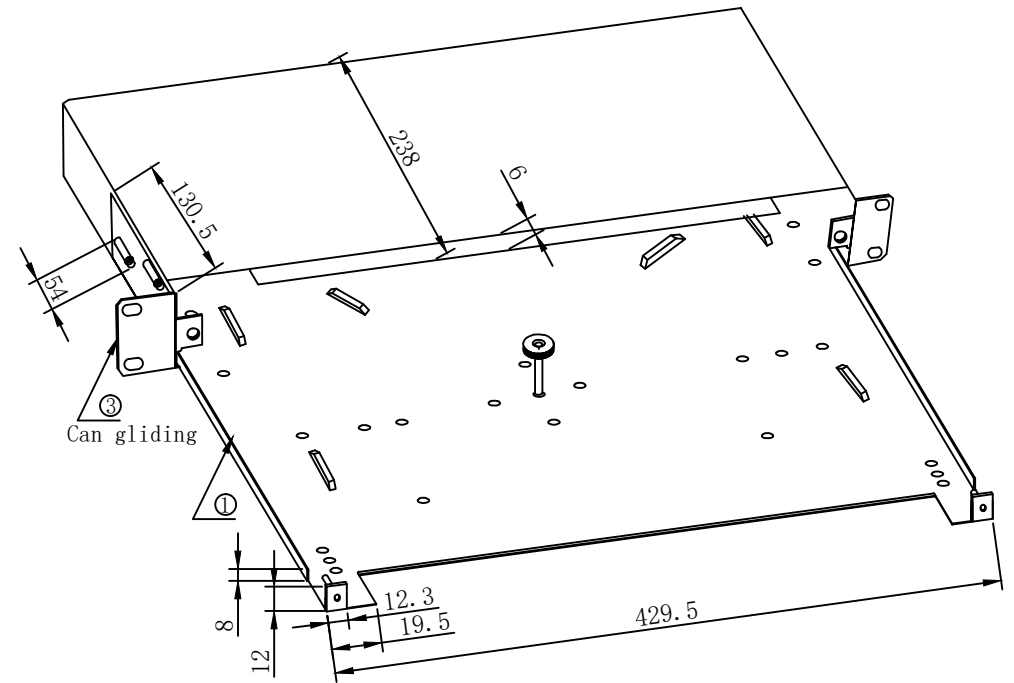
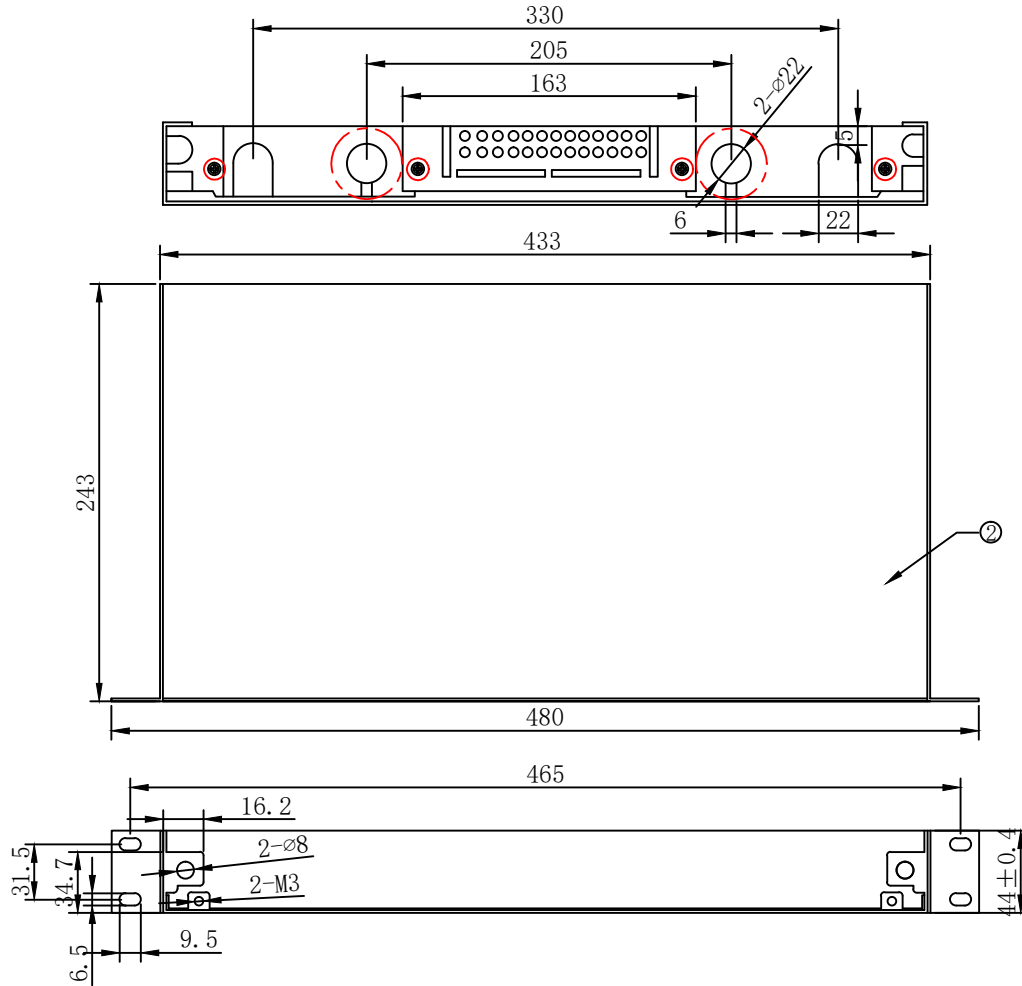
NOTE:

RoHS 2.0 COMPLIANT

1. Black (RAL 9005) matt black surface treatment
2. 1 2 3 424
3. packing:1PCS/PE BAG+inner box +label

LogiLink Professional F24SD2/3/4

		2Direct Gmbh	ITEM NO.		
PRODUCT NAME	19" Fiber Optic Patch Panel, Fully loaded 1U" sliding type with 24 core SC DX Adapter and pigtail		ITEM NO.	UNIT	MM
DRAWNBY	CHECKBY	APPOBY	DATE		
				2016. 08. 25	



NOTE:

RoHS 2.0 COMPLIANT
 19" Fiber Optic Patch Panel, 1U" Sliding Type
 Changeable Front Panel
 Bottom panel 45° degree clippable
 Colour: Black (RAL 9005)

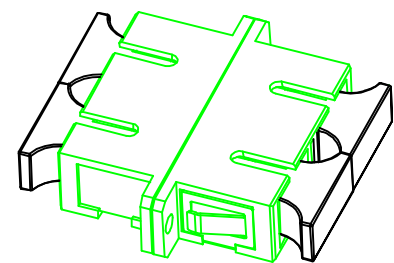
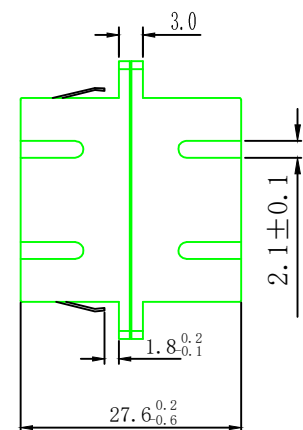
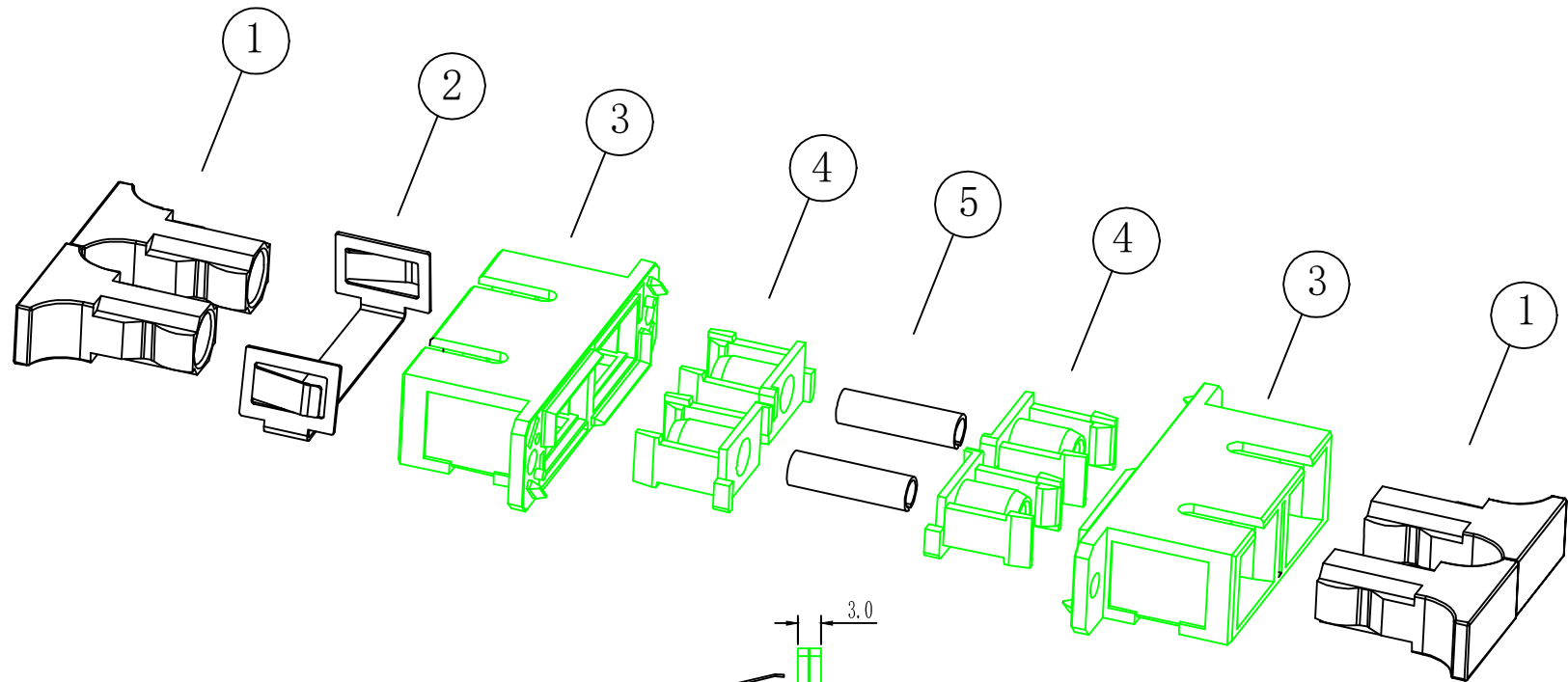
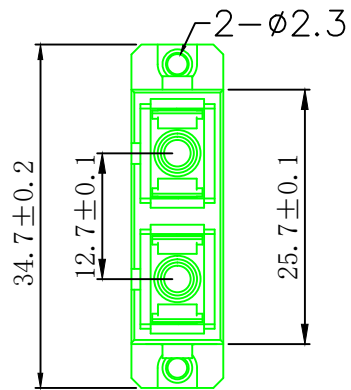
Accessory: Screw and Nut M6*18mm x 4set
 Cable Glands PG13.5 x 2 pcs
 Cable Tie 2.2*80mm x 6 pcs

MATERIAL LIST:

NO.	PARTS NAME	SPECIFICATION DESCRIPTION	QT'Y	REMARK
⑤	Push pin	ABS OD:15.8	2	
④	Front panel	1.0mm thickness Metallic Panel with plastic powder cladding	1	
③	Mounting	1.5mm thickness Metallic Panel with plastic powder cladding	2	
②	Upper Panel Cover	1.0mm thickness Metallic Panel with plastic powder cladding	1	
①	Bottom Panel	1.0mm thickness Metallic Panel with plastic powder cladding	1	

BY	CHK	REVISION RECORD MODIFICATIONS	DATE	REV.
		NEW	2016. 08. 25	A

PRODUCT NAME		2Direct GmbH		ITEM NO.	
19" Fiber Optic Patch Panel, 1U" sliding type					
DRAWNBY		CHECKBY		APPOBY	
				DATE	
				2016. 08. 25	



NOTE:
RoHS 2.0 & Reach COMPLIANT

Insertion Loss (typical) (dB)	≤0.12
Insertion Loss (dB)	≤0.20
Operating Temperature (° C)	-40 ~ +80
Storage Temperature (° C)	-40 ~ +85

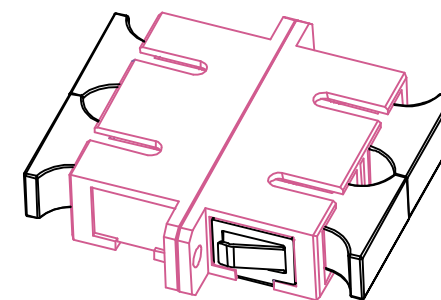
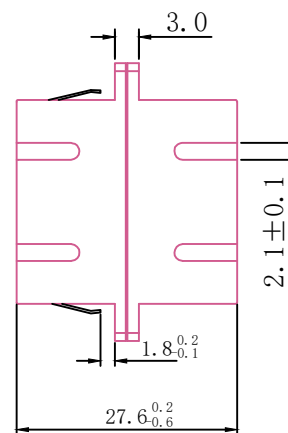
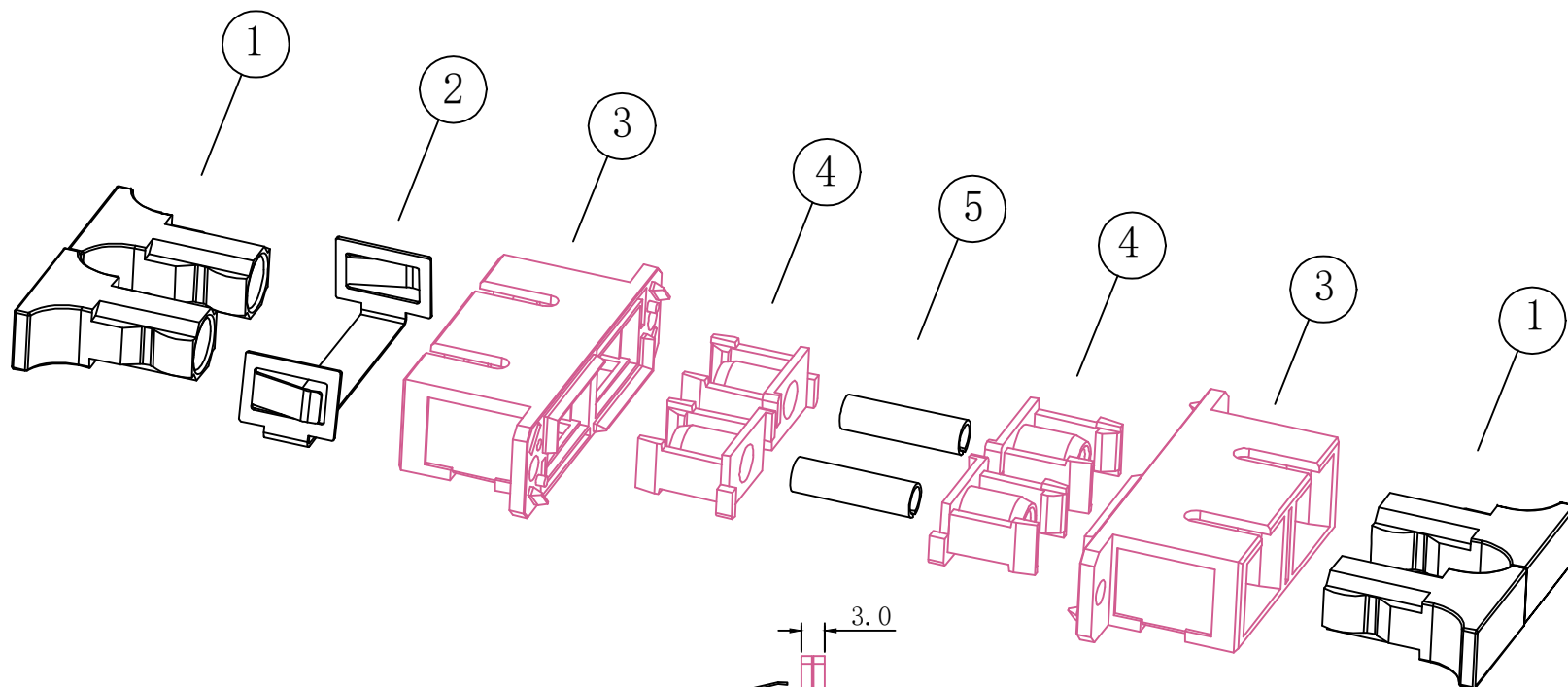
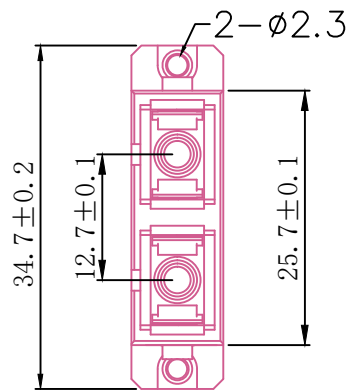
MATERIAL LIST:

⑤	SC/APC (ceramic) Sleeve (Single-Mode)	2pcs	
④	GREEN Bush	4pcs	
③	SC Duplex Green Body with flange	2pcs	
②	Metal Mount	1pcs	
①	Black Dust cap	4pcs	
NO.	SPECIFICATION STANDARD	QT' Y	REMARK

LogiLink Professional F24SD2/3/4

2Direct Gmbh		ITEM NO.			
PRODUCT NAME	SC/APC Green (ceramic) Duplex plastic Adapter	ITEM NO.	132326	UNIT	MM
DRAWNBY	CHECKBY	APPOBY	DATE		
			2016. 08. 25		

		NEW	2016. 08. 25	A
BY	CHK	REVISION RECORD MODIFICATIONS	DATE	REV.



NOTE:
RoHS 2.0 & Reach COMPLIANT

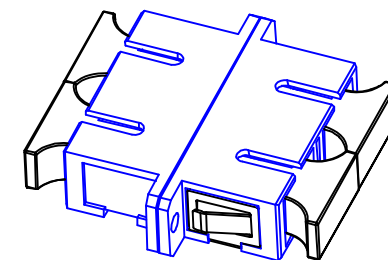
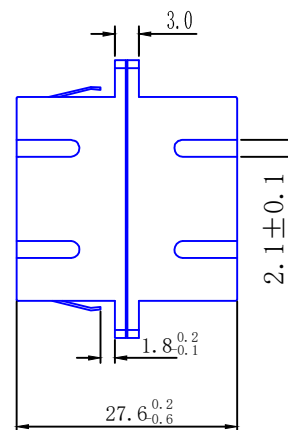
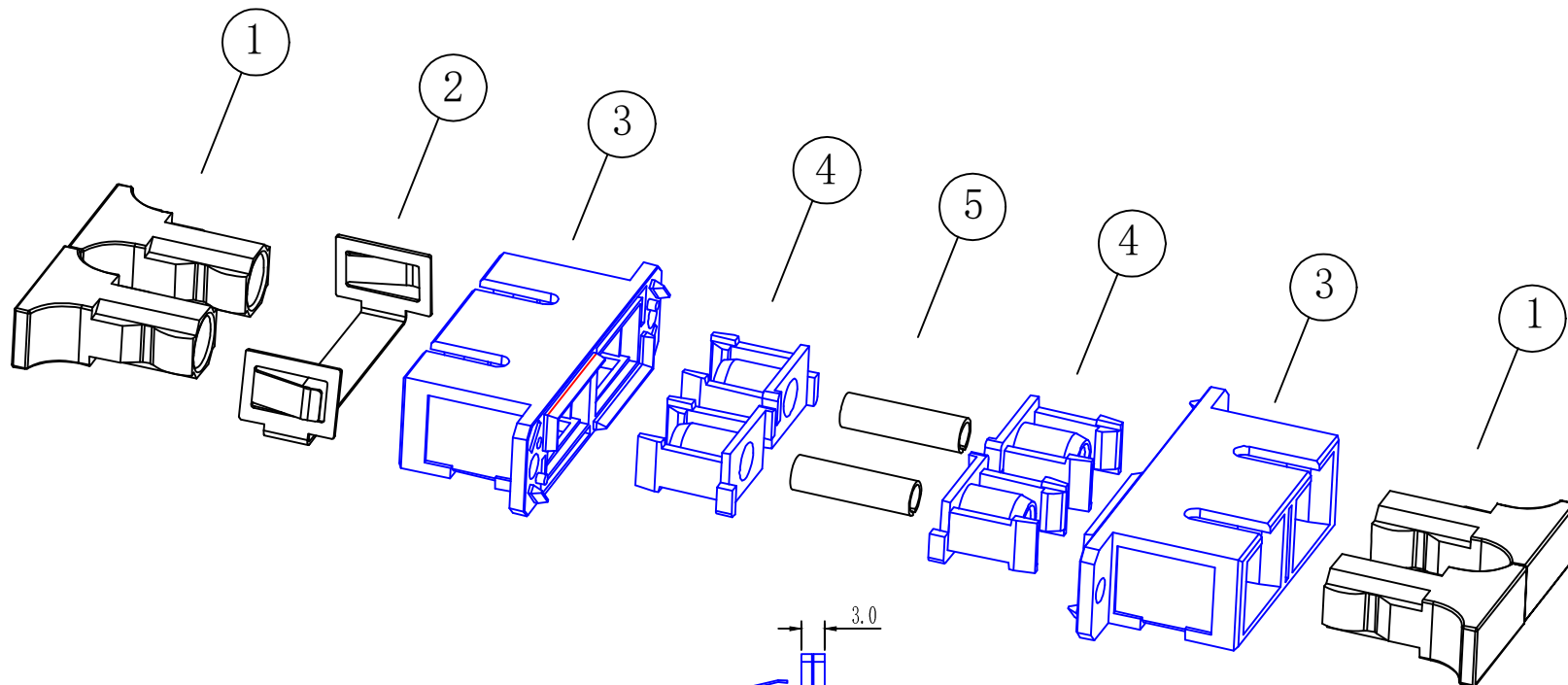
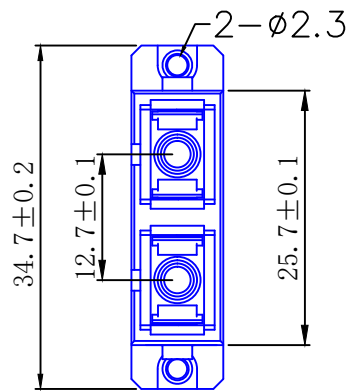
Insertion Loss (typical) (dB)	≤0.12
Insertion Loss (dB)	≤0.20
Operating Temperature (° C)	-40 ~+80
Storage Temperature (° C)	-40 ~+85

MATERIAL LIST:

⑤	SC (ceramic) Sleeve (Multi-Mode)	2pcs	
④	Erika violett Bush	4pcs	
③	SC Duplex Erika violett Body with flange	2pcs	
②	Metal Mount	1pcs	
①	Black Dust cap	4pcs	
NO.	SPECIFICATION STANDARD	QT' Y	REMARK

LogiLink Professional F24SD2/3/4

		2Direct Gmbh		ITEM NO.			
PRODUCT NAME		SC MM Erika violett (cerami) Duplex plastic Adapter		ITEM NO.		132429	
UNIT		MM		DATE		2016. 08. 25	
BY	CHK	REVISION RECORD MODIFICATIONS		DATE	REV.	DRAWNBY	CHECKBY
		NEW		2016. 08. 25	A	APPOBY	



NOTE:
RoHS 2.0 & Reach COMPLIANT

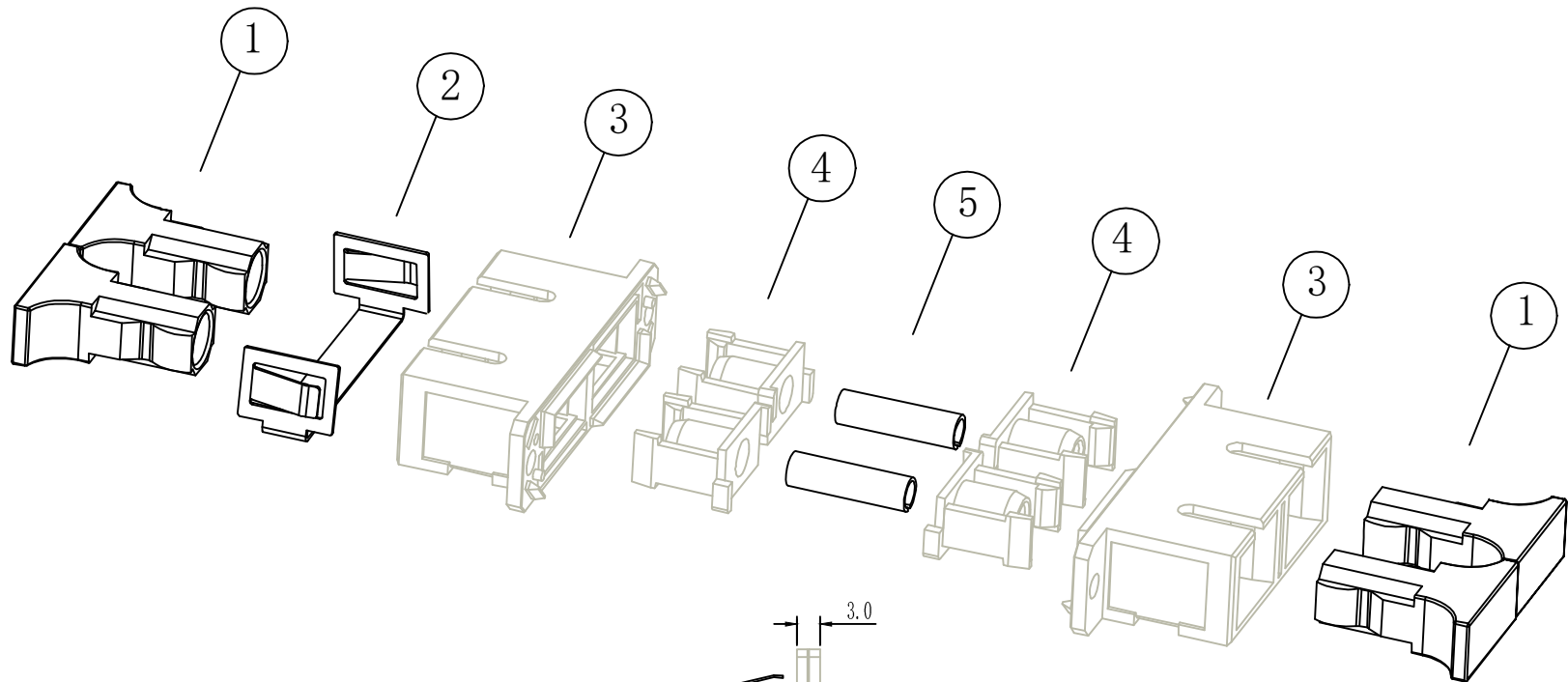
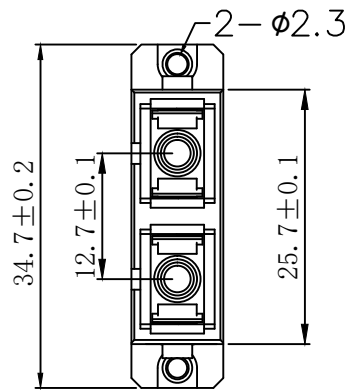
Insertion Loss (typical) (dB)	≤0.12
Insertion Loss(dB)	≤0.20
Operating Temperature(° C)	-40 ~+80
Storage Temperature(° C)	-40 ~+85

MATERIAL LIST:

⑤	SC (ceramic) Sleeve (Single-Mode)	2pcs	
④	Blue Bush	4pcs	
③	SC Duplex Blue Body with flange	2pcs	
②	Metal Mount	1pcs	
①	Black Dust cap	4pcs	
NO.	SPECIFICATION STANDARD	QT' Y	REMARK

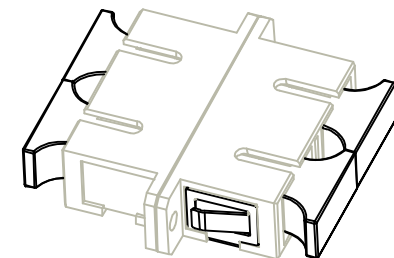
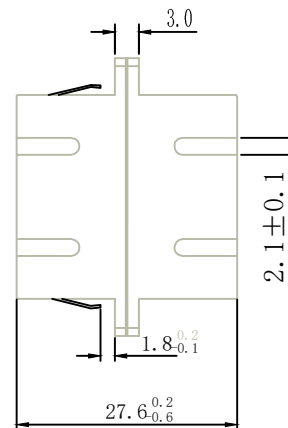
LogiLink Professional F24SD2/3/4

		2Direct GmbH		ITEM NO.			
PRODUCT NAME		SC SM blue(ceramic)Duplex plastic Adapter		ITEM NO.		132322	
UNIT		MM		DATE		2016-0 -2	
DRAWNBY		CHECKBY		APPOBY			
DATE		REV.					
BY		CHK		REVISION RECORD MODIFICATIONS			
		NEW		2016-0 -2		A	



NOTE:
RoHS 2.0 & Reach COMPLIANT

Insertion Loss (typical) (dB)	≤0.12
Insertion Loss (dB)	≤0.20
Operating Temperature (° C)	-40 ~ +80
Storage Temperature (° C)	-40 ~ +85

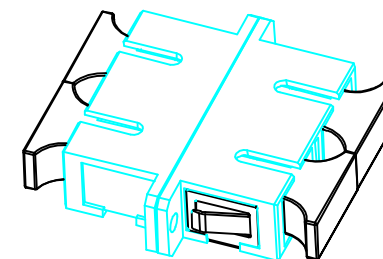
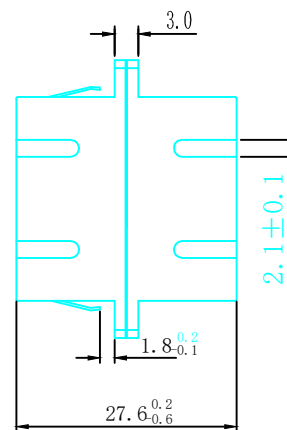
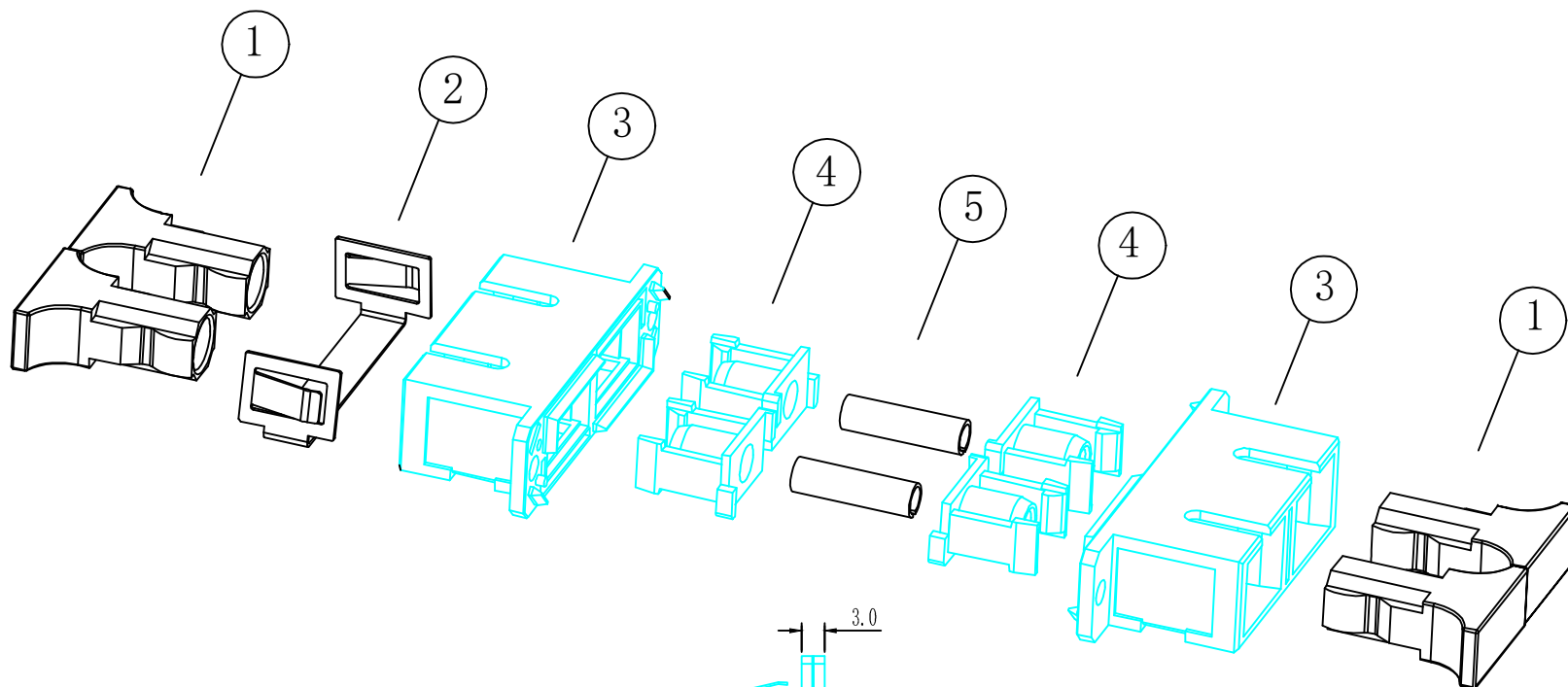
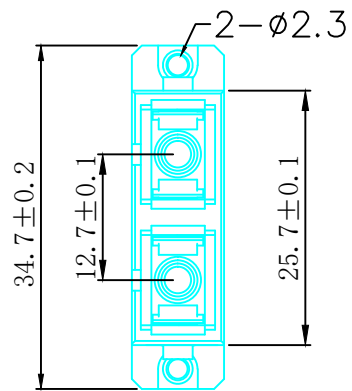


MATERIAL LIST:

⑤	SC (ceramic) Sleeve (Multi-Mode)	2pcs	
④	Beige Bush	4pcs	
③	SC Duplex Beige Body with flange	2pcs	
②	Metal Mount	1pcs	
①	Black Dust cap	4pcs	
NO.	SPECIFICATION STANDARD	QT' Y	REMARK

LogiLink Professional F24SD2/3/4

		2Direct Gmbh		ITEM NO.			
PRODUCT NAME		SC MM beige (ceramic) Duplex plastic Adapter		ITEM NO.		132423	
UNIT		MM		DATE		2016-0 -2	
DRAWNBY		CHECKBY		APPOBY			
BY		CHK		REVISION RECORD MODIFICATIONS		DATE	
		NEW		2016-0 -2		A	
				DATE		REV.	



NOTE:
RoHS 2.0 & Reach COMPLIANT

Insertion Loss (typical) (dB)	≤0.12
Insertion Loss(dB)	≤0.20
Operating Temperature(° C)	-40 ~+80
Storage Temperature(° C)	-40 ~+85

MATERIAL LIST:

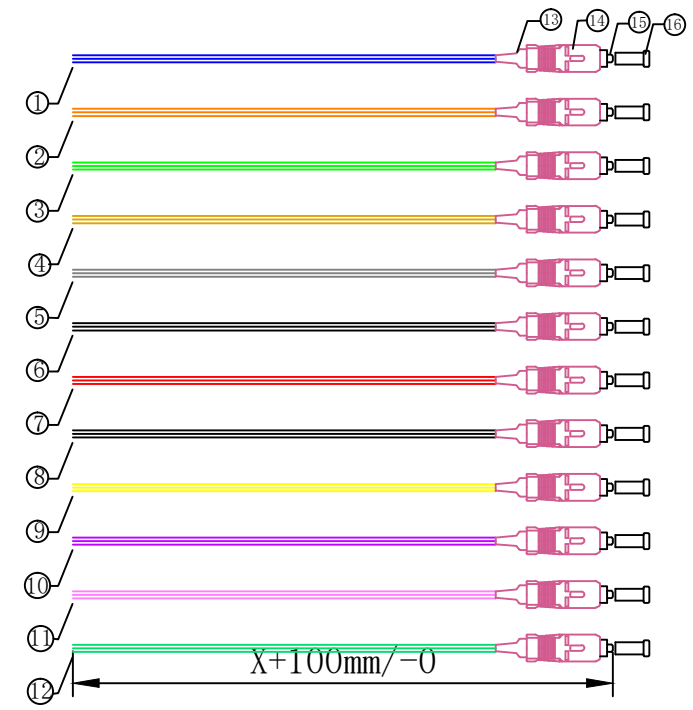
⑤	SC (ceramic) Sleeve (Multi-Mode)	2pcs	
④	Aqua Bush	4pcs	
③	SC Duplex Aqua Body with flange	2pcs	
②	Metal Mount	1pcs	
①	Black Dust cap	4pcs	
NO.	SPECIFICATION STANDARD	QT' Y	REMARK

LogiLink Professional F24SD2/3/4

2Direct GmbH		ITEM NO.	
PRODUCT NAME	SC MM Aqua (ceramic) Duplex plastic Adapter	ITEM NO.	132425
DRAWNBY	CHECKBY	APPOBY	DATE
			2016-0 -2

		NEW	2016-0 -2	A
BY	CHK	REVISION RECORD MODIFICATIONS	DATE	REV.

NOTE:
 The primary coating and secondary coating
 have the same coulor
 RoHS 2.0 Compliant



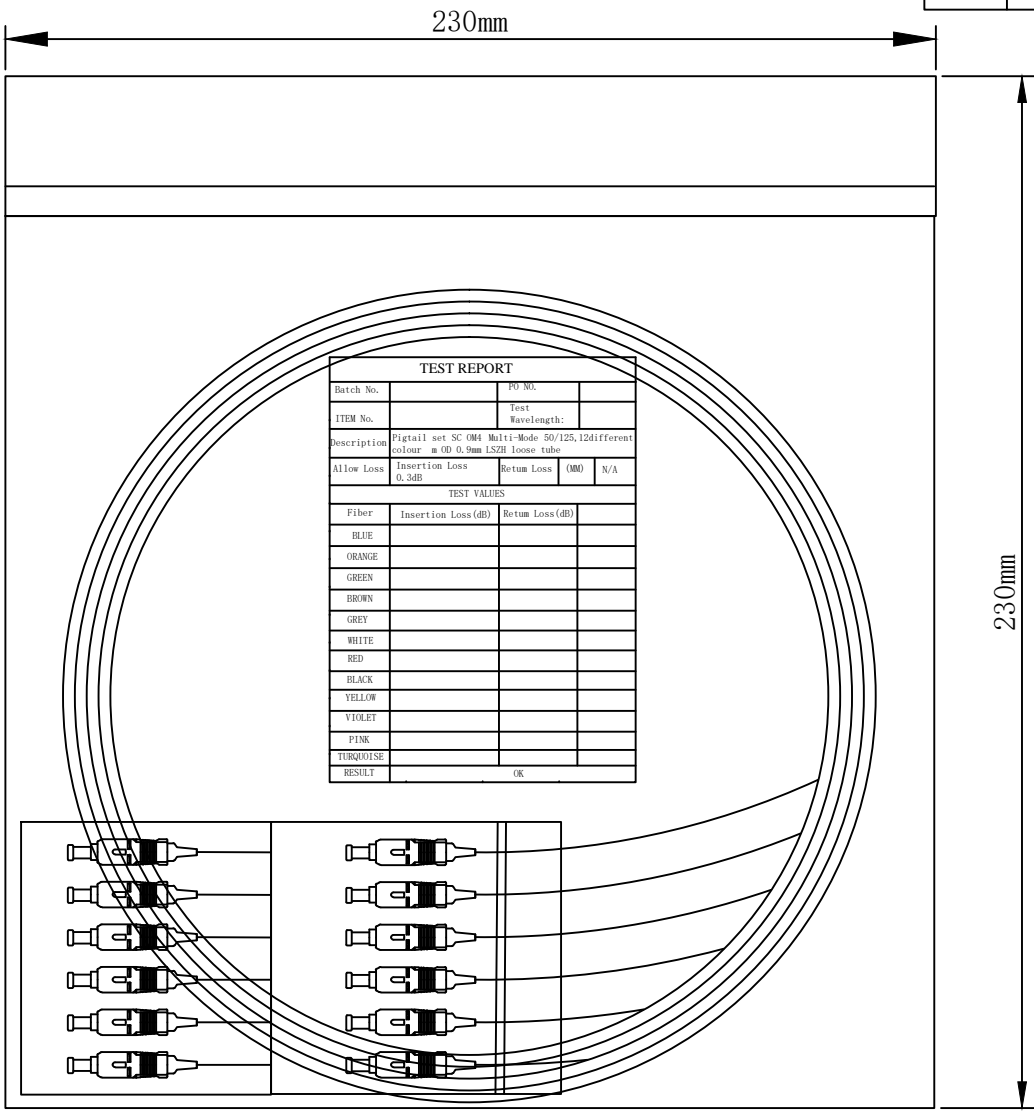
⑬	SC Transparent Dust Cap	12	
⑮	SC/ UPC MM Ferrule 126-128um	12	
⑭	SC MM 0.9 Erika violett Connector	12	
⑬	SC 0.9 Erika violett Boot	12	
⑫	Fiber Cable LOOSE TUBE MM OM4 50/125 0.9mm TURQUOISE LSZH	Xm	
⑪	Fiber Cable LOOSE TUBE MM OM4 50/125 0.9mm PINK LSZH	Xm	
⑩	Fiber Cable LOOSE TUBE MM OM4 50/125 0.9mm VIOLET LSZH	Xm	
⑨	Fiber Cable LOOSE TUBE MM OM4 50/125 0.9mm YELLOW LSZH	Xm	
⑧	Fiber Cable LOOSE TUBE MM OM4 50/125 0.9mm BLACK LSZH	Xm	
⑦	Fiber Cable LOOSE TUBE MM OM4 50/125 0.9mm RED LSZH	Xm	
⑥	Fiber Cable LOOSE TUBE MM OM4 50/125 0.9mm WHITE LSZH	Xm	
⑤	Fiber Cable LOOSE TUBE MM OM4 50/125 0.9mm GREY LSZH	Xm	
④	Fiber Cable LOOSE TUBE MM OM4 50/125 0.9mm BROWN LSZH	Xm	
③	Fiber Cable LOOSE TUBE MM OM4 50/125 0.9mm GREEN LSZH	Xm	
②	Fiber Cable LOOSE TUBE MM OM4 50/125 0.9mm ORANGE LSZH	Xm	
①	Fiber Cable LOOSE TUBE MM OM4 50/125 0.9mm BLUE LSZH	Xm	

Type	Multi-Mode
Insertion Loss	<=0.3dB
Return Loss	NA
Test Wavelength	850nm

NO	SPECIFICATION STANDARD	QT' Y	REMARK
BY	CHK	REVISION RECORD MODIFICATIONS	

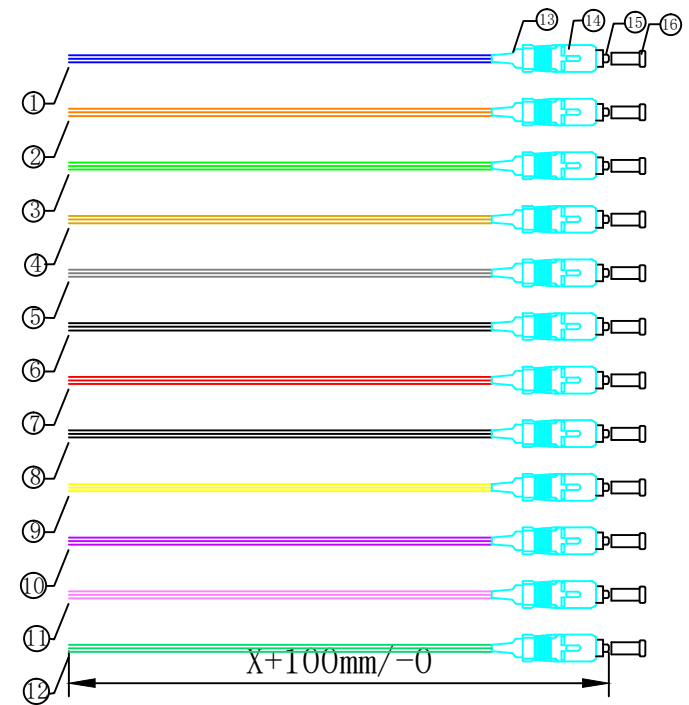
2Direct Gmbh		ITEM NO.	
PRODUCT NAME	Pigtailset SC/UPC OM4 50/125 μm 12 different coulor	ITEM NO.	125202 UNIT MM
DATE	2016.08.25	REV.	A
DRAWNBY	CHECKBY	APPOBY	DATE
			2016.08.25

TEST REPORT				
Batch No.		PO NO.		
ITEM No.		Test Wavelength:		
Description	Pigtail set SC OM4 Multi-Mode 50/125, 12 different colour xm OD 0.9mm LSZH loose tube			
Allow Loss	Insertion Loss 0.3dB	Return Loss	(MM)	N/A
TEST VALUES				
Fiber	Insertion Loss (dB)	Return Loss (dB)		
BLUE				
ORANGE				
GREEN				
BROWN				
GREY				
WHITE				
RED				
BLACK				
YELLOW				
VIOLET				
PINK				
TURQUOISE				
RESULT	OK			



		2Direct Gmbh		ITEM NO.			
PRODUCT NAME	Pigtailset SC/UPC OM4 50/125 μm 12 different colors	ITEM NO.	125202	UNIT	MM		
BY	CHK	NEW	REVISION RECORD MODIFICATIONS	DATE	2016. 08. 25	REV.	A
		DRAWNBY	CHECKBY	APPOBY	DATE	2016. 08. 25	

NOTE:
 The primary coating and secondary coating
 have the same coulor
 ROHS 2.0 Compliant



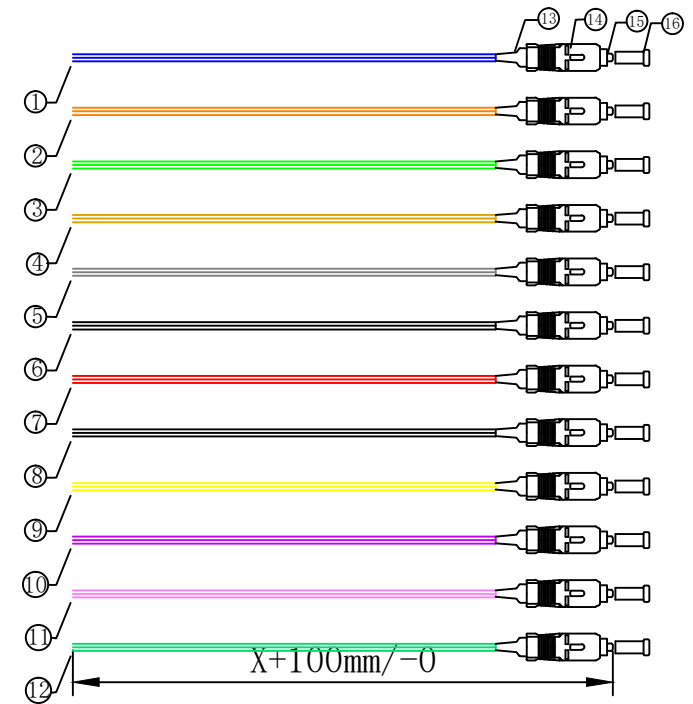
⑬	SC Transparent Dust Cap	12	
⑮	SC/ UPC MM Ferrule 126-128um	12	
⑭	SC MM 0.9 Aqua Connector	12	
⑬	SC 0.9 Aqua Boot	12	
⑫	Fiber Cable LOOSE TUBE MM OM3 50/125 0.9mm TURQUOISE LSZH	Xm	
⑪	Fiber Cable LOOSE TUBE MM OM3 50/125 0.9mm PINK LSZH	Xm	
⑩	Fiber Cable LOOSE TUBE MM OM3 50/125 0.9mm VIOLET LSZH	Xm	
⑨	Fiber Cable LOOSE TUBE MM OM3 50/125 0.9mm YELLOW LSZH	Xm	
⑧	Fiber Cable LOOSE TUBE MM OM3 50/125 0.9mm BLACK LSZH	Xm	
⑦	Fiber Cable LOOSE TUBE MM OM3 50/125 0.9mm RED LSZH	Xm	
⑥	Fiber Cable LOOSE TUBE MM OM3 50/125 0.9mm WHITE LSZH	Xm	
⑤	Fiber Cable LOOSE TUBE MM OM3 50/125 0.9mm GREY LSZH	Xm	
④	Fiber Cable LOOSE TUBE MM OM3 50/125 0.9mm BROWN LSZH	Xm	
③	Fiber Cable LOOSE TUBE MM OM3 50/125 0.9mm GREEN LSZH	Xm	
②	Fiber Cable LOOSE TUBE MM OM3 50/125 0.9mm ORANGE LSZH	Xm	
①	Fiber Cable LOOSE TUBE MM OM3 50/125 0.9mm BLUE LSZH	Xm	
NO	SPECIFICATION STANDARD	QT' Y	REMARK

Type	Multi-Mode
Insertion Loss	<=0.3dB
Return Loss	NA
Test Wavelength	850nm

		2Direct Gmbh		ITEM NO.			
PRODUCT NAME	Pigtailset SC/UPC OM3 50/125 μm 12 different coulor	ITEM NO.	124202	UNIT	MM		
BY	CHK	NEW	2016.08.25	REV.	A	DRAWNBY	CHECKBY
REVISION RECORD MODIFICATIONS		DATE	2016.08.25	APPOBY		DATE	
						2016.08.25	

NOTE:
The primary coating and secondary coating
have the same coulor

ROHS 2.0 Compliant

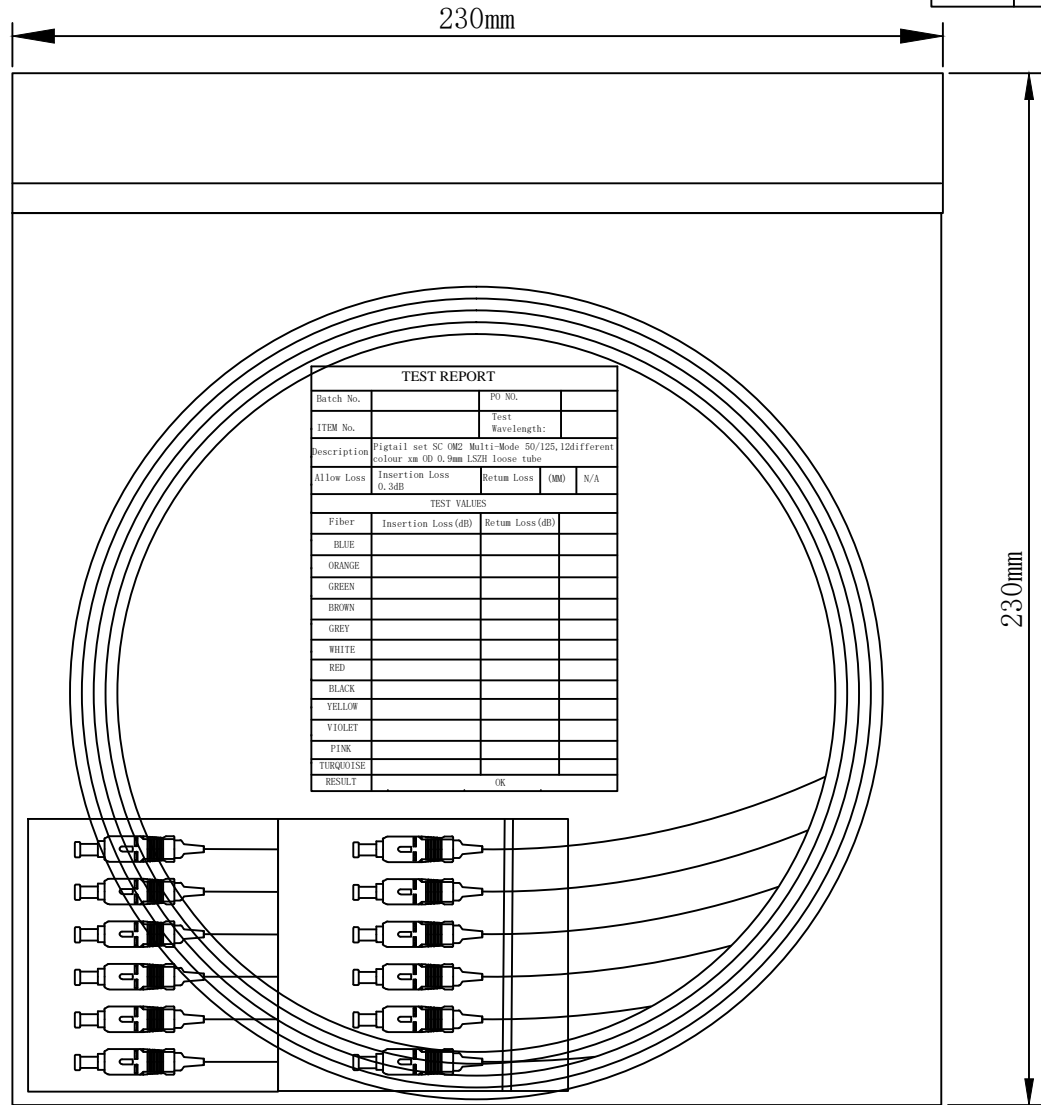


⑫	SC Transparent Dust Cap	12	
⑮	SC/ UPC MM Ferrule 126-128um	12	
⑭	SC MM 0.9 Beige Connector	12	
⑬	SC 0.9 Beige Boot	12	
⑫	Fiber Cable LOOSE TUBE MM OM2 50/125 0.9mm TURQUOISE LSZH	Xm	
⑪	Fiber Cable LOOSE TUBE MM OM2 50/125 0.9mm PINK LSZH	Xm	
⑩	Fiber Cable LOOSE TUBE MM OM2 50/125 0.9mm VIOLET LSZH	Xm	
⑨	Fiber Cable LOOSE TUBE MM OM2 50/125 0.9mm YELLOW LSZH	Xm	
⑧	Fiber Cable LOOSE TUBE MM OM2 50/125 0.9mm BLACK LSZH	Xm	
⑦	Fiber Cable LOOSE TUBE MM OM2 50/125 0.9mm RED LSZH	Xm	
⑥	Fiber Cable LOOSE TUBE MM OM2 50/125 0.9mm WHITE LSZH	Xm	
⑤	Fiber Cable LOOSE TUBE MM OM2 50/125 0.9mm GREY LSZH	Xm	
④	Fiber Cable LOOSE TUBE MM OM2 50/125 0.9mm BROWN LSZH	Xm	
③	Fiber Cable LOOSE TUBE MM OM2 50/125 0.9mm GREEN LSZH	Xm	
②	Fiber Cable LOOSE TUBE MM OM2 50/125 0.9mm ORANGE LSZH	Xm	
①	Fiber Cable LOOSE TUBE MM OM2 50/125 0.9mm BLUE LSZH	Xm	
NO	SPECIFICATION STANDARD	QT' Y	REMARK

Type	Multi-Mode
Insertion Loss	<=0.3dB
Return Loss	NA
Test Wavelength	850nm

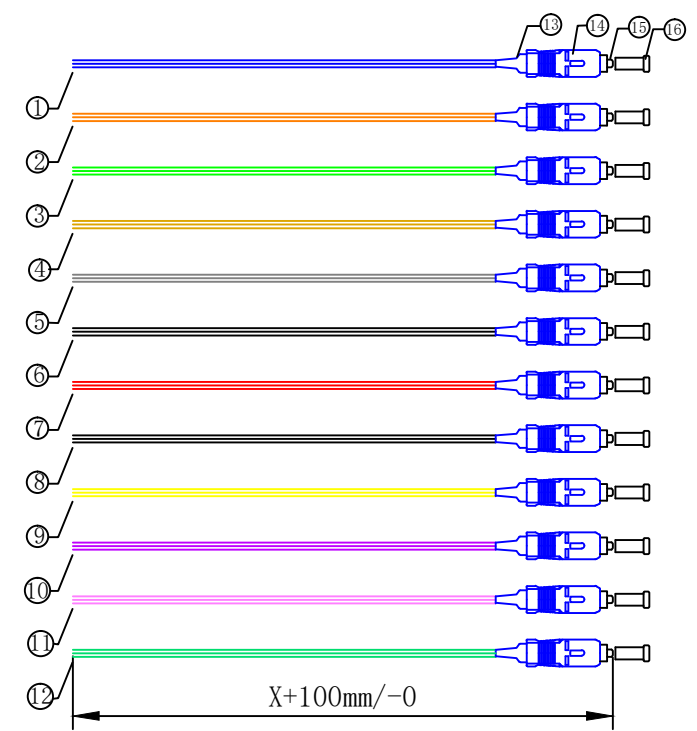
		2Direct Gmbh		ITEM NO.			
		PRODUCT NAME Pigtailset SC/UPC OM2 50/125 μm 12 different coulors		ITEM NO.		123202	UNIT MM
		NEW		2016.08.25	A	DATE	
BY	CHK	REVISION RECORD MODIFICATIONS		DATE	REV.	2016.08.25	

TEST REPORT				
Batch No.		PO NO.		
ITEM No.		Test Wavelength:		
Description	Pigtail set SC OM2 Multi-Mode 50/125, 12 different colour xm OD 0.9mm LSZH loose tube			
Allow Loss	Insertion Loss 0.3dB	Return Loss	(MM)	N/A
TEST VALUES				
Fiber	Insertion Loss (dB)	Return Loss (dB)		
BLUE				
ORANGE				
GREEN				
BROWN				
GREY				
WHITE				
RED				
BLACK				
YELLOW				
VIOLET				
PINK				
TURQUOISE				
RESULT	OK			



		2Direct GmbH		ITEM NO.			
PRODUCT NAME	Pigtailset SC/UPC OM2 50/125 μm 12 different colors			ITEM NO.	123202	UNIT	MM
BY	CHK	NEW	2016.08.25	A	DRAWNBY	CHECKBY	APPOBY
		REVISION RECORD MODIFICATIONS	DATE	REV.			DATE
							2016.08.25

NOTE:
 The primary coating and secondary coating
 have the same color
 ROHS 2.0 Compliant



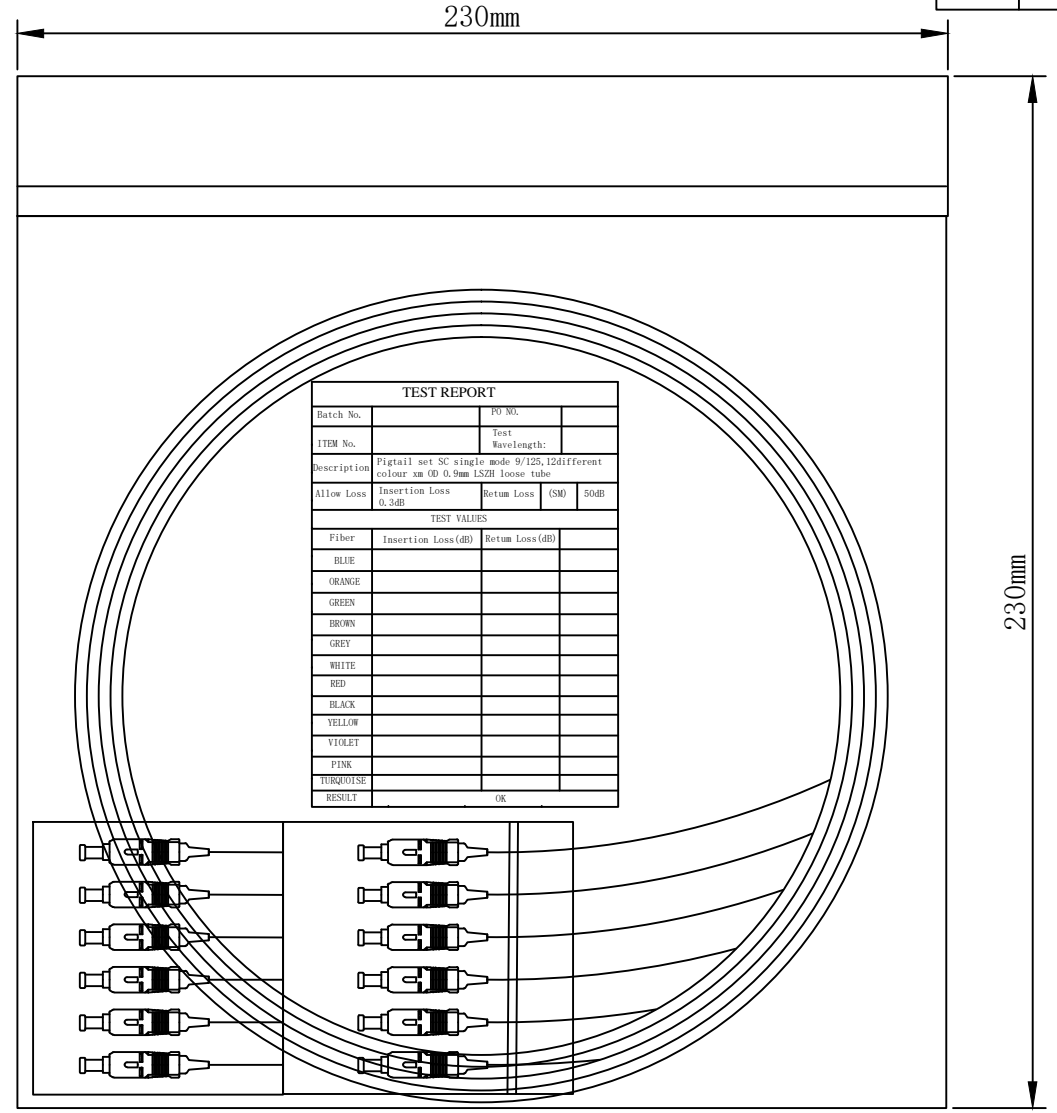
⑬	SC Transparent Dust Cap	12	
⑮	SC/ UPC SM Ferrule 125-126um	12	
⑭	SC SM 0.9 Blue Connector	12	
⑬	SC 0.9 Blue Boot	12	
⑫	Fiber Cable LOOSE TUBE SM 9/125 0.9mm TURQUOISE LSZH	Xm	
⑪	Fiber Cable LOOSE TUBE SM 9/125 0.9mm PINK LSZH	Xm	
⑩	Fiber Cable LOOSE TUBE SM 9/125 0.9mm VIOLET LSZH	Xm	
⑨	Fiber Cable LOOSE TUBE SM 9/125 0.9mm YELLOW LSZH	Xm	
⑧	Fiber Cable LOOSE TUBE SM 9/125 0.9mm BLACK LSZH	Xm	
⑦	Fiber Cable LOOSE TUBE SM 9/125 0.9mm RED LSZH	Xm	
⑥	Fiber Cable LOOSE TUBE SM 9/125/125 0.9mm WHITE LSZH	Xm	
⑤	Fiber Cable LOOSE TUBE SM 9/125 0.9mm GREY LSZH	Xm	
④	Fiber Cable LOOSE TUBE SM 9/125 0.9mm BROWN LSZH	Xm	
③	Fiber Cable LOOSE TUBE SM 9/125 0.9mm GREEN LSZH	Xm	
②	Fiber Cable LOOSE TUBE SM 9/125 0.9mm ORANGE LSZH	Xm	
①	Fiber Cable LOOSE TUBE SM 9/125 0.9mm BLUE LSZH	Xm	

Type	Single-Mode
Insertion Loss	<=0.3dB
Return Loss	>=50dB
Test Wavelength	1310nm

NO	SPECIFICATION STANDARD	QT' Y	REMARK
BY	CHK	REVISION RECORD MODIFICATIONS	

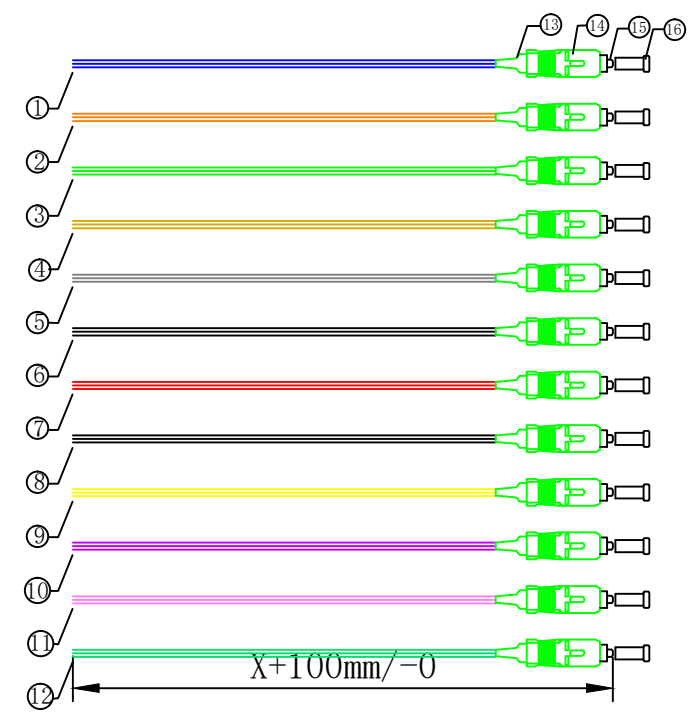
		2Direct Gmbh		ITEM NO.			
PRODUCT NAME	Pigtailset SC/UPC 9/125 μm 12 different colors	ITEM NO.	121202	UNIT	MM		
		DRAWNBY	CHECKBY	APPOBY	DATE		
					2016.08.25		

TEST REPORT				
Batch No.		PO NO.		
ITEM No.		Test Wavelength:		
Description	Pigtail set SC single mode 9/125, 12 different colour xm OD 0.9mm LSZH loose tube			
Allow Loss	Insertion Loss 0.3dB	Return Loss	(SM)	50dB
TEST VALUES				
Fiber	Insertion Loss (dB)	Return Loss (dB)		
BLUE				
ORANGE				
GREEN				
BROWN				
GREY				
WHITE				
RED				
BLACK				
YELLOW				
VIOLET				
PINK				
TURQUOISE				
RESULT	OK			



		2Direct Gmbh		ITEM NO.			
		PRODUCT NAME Pigtailset SC/UPC 9/125 μm 12 different coulors		ITEM NO. 121202		UNIT MM	
		NEW		2016. 08. 25		A	
BY		CHK		REVISION RECORD MODIFICATIONS		DATE 2016. 08. 25	
		DRAWNBY		CHECKBY		APPOBY	

NOTE:
 The primary coating and secondary coating
 have the same coulor
 ROHS 2.0 Compliant

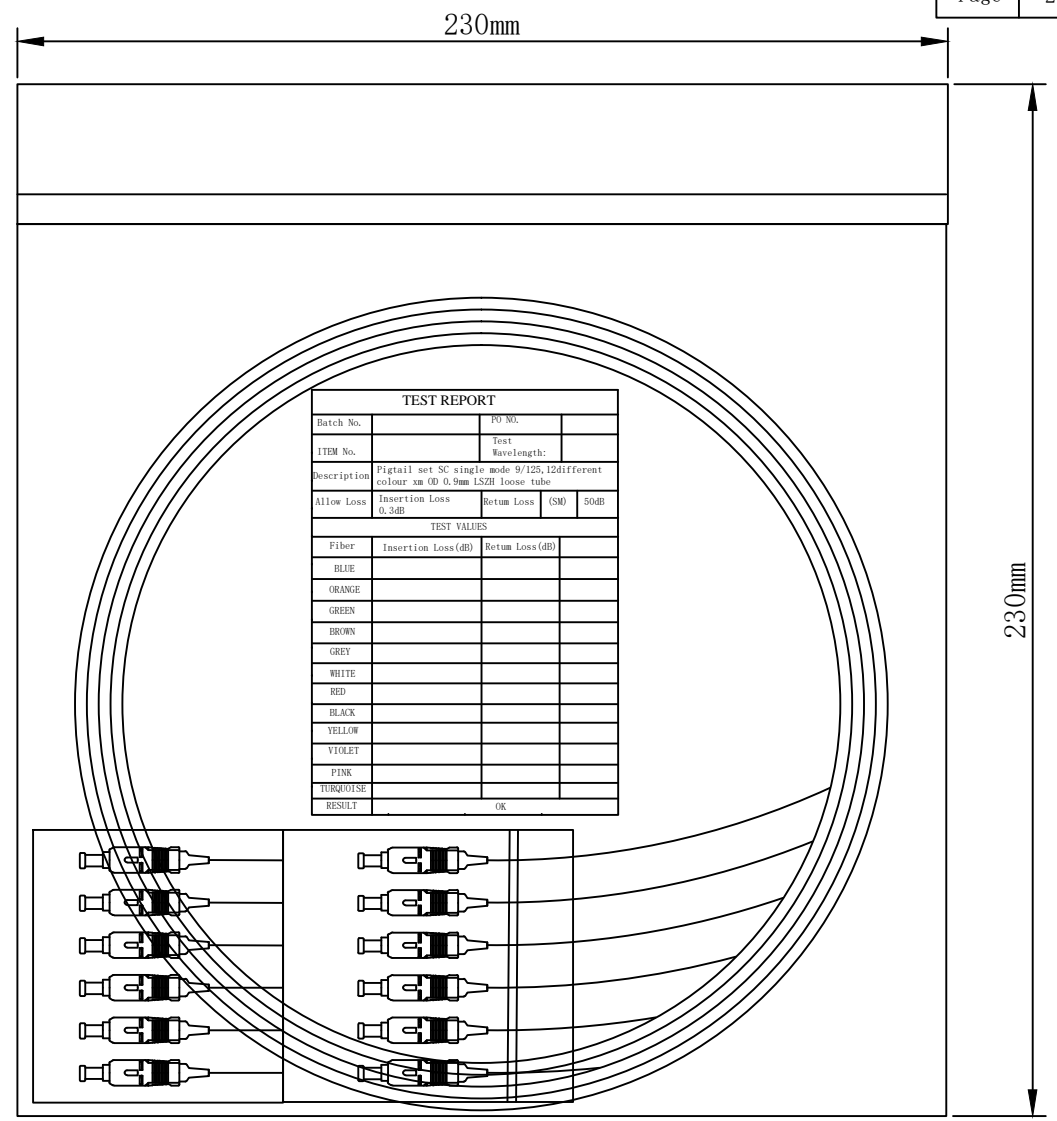


⑬	SC Transparent Dust Cap	12	
⑮	SC/APC 8° SM Ferrule 125-126um	12	
⑭	SC APC 0.9 Green Connector	12	
⑬	SC 0.9 Green Boot	12	
⑫	Fiber Cable LOOSE TUBE SM 9/125 0.9mm TURQUOISE LSZH	Xm	
⑪	Fiber Cable LOOSE TUBE SM 9/125 0.9mm PINK LSZH	Xm	
⑩	Fiber Cable LOOSE TUBE SM 9/125 0.9mm VIOLET LSZH	Xm	
⑨	Fiber Cable LOOSE TUBE SM 9/125 0.9mm YELLOW LSZH	Xm	
⑧	Fiber Cable LOOSE TUBE SM 9/125 0.9mm BLACK LSZH	Xm	
⑦	Fiber Cable LOOSE TUBE SM 9/125 0.9mm RED LSZH	Xm	
⑥	Fiber Cable LOOSE TUBE SM 9/125/125 0.9mm WHITE LSZH	Xm	
⑤	Fiber Cable LOOSE TUBE SM 9/125 0.9mm GREY LSZH	Xm	
④	Fiber Cable LOOSE TUBE SM 9/125 0.9mm BROWN LSZH	Xm	
③	Fiber Cable LOOSE TUBE SM 9/125 0.9mm GREEN LSZH	Xm	
②	Fiber Cable LOOSE TUBESM 9/125 0.9mm ORANGE LSZH	Xm	
①	Fiber Cable LOOSE TUBE SM 9/125 0.9mm BLUE LSZH	Xm	
NO	SPECIFICATION STANDARD	QT' Y	REMARK

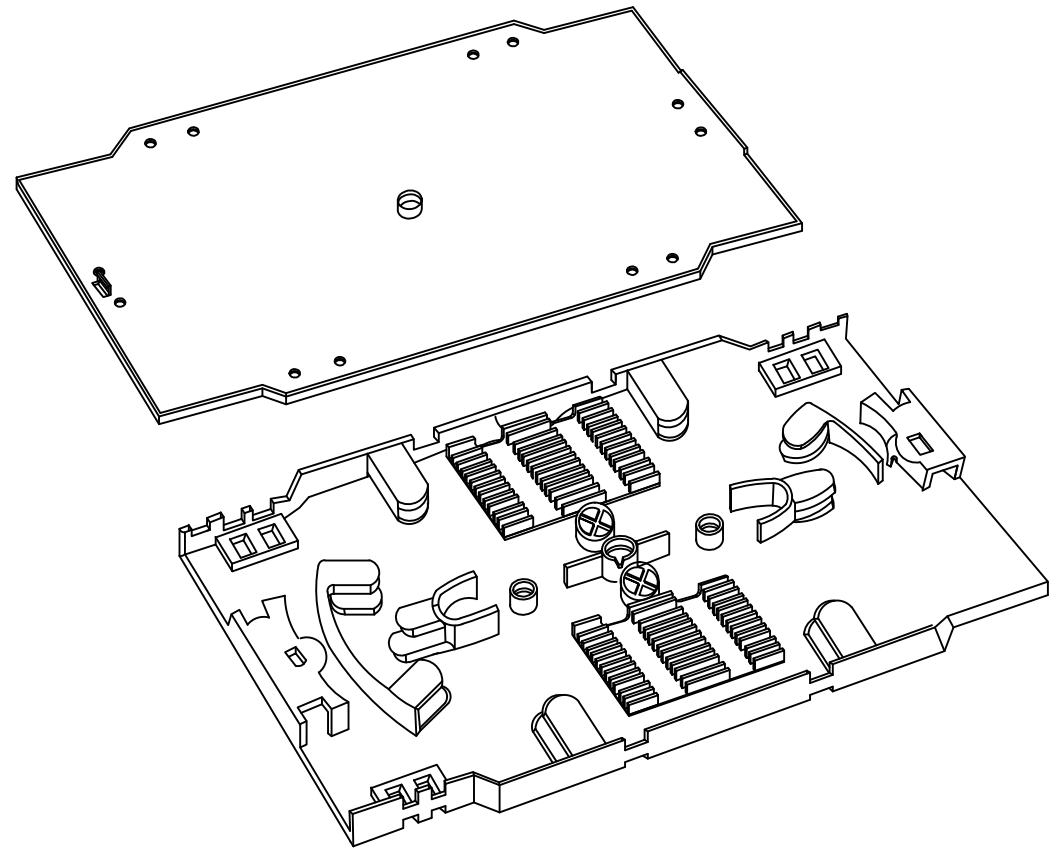
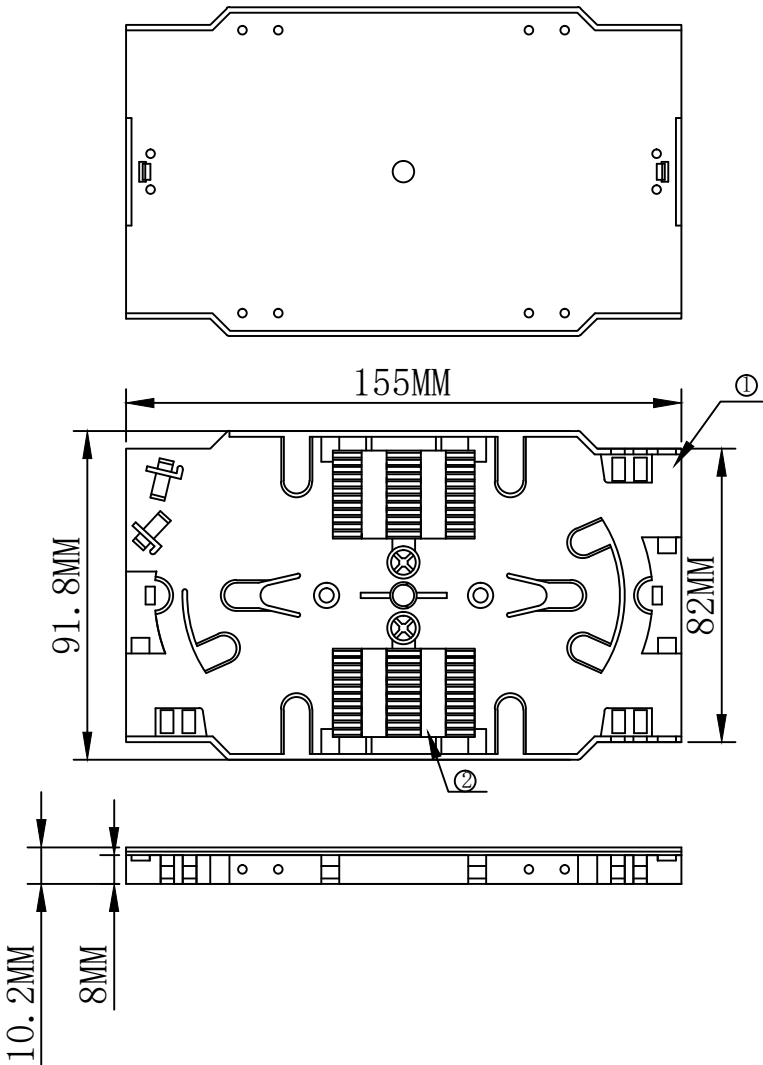
Type	Single-Mode
Insertion Loss	<=0.3dB
Return Loss	>=60dB
Test Wavelength	1310nm

		2Direct Gmbh		ITEM NO.			
PRODUCT NAME	Pigtailset SC/APC 9/125 μm 12 different coulors	ITEM NO.	126202	UNIT	MM		
BY	CHK	DATE	2016.08.25	REV.	A	DRAWNBY	CHECKBY
REVISION RECORD MODIFICATIONS		DATE	2016.08.25	REV.		APPOBY	DATE
						2016.08.25	

TEST REPORT				
Batch No.		PO NO.		
ITEM No.		Test Wavelength:		
Description	Pigtail set SC APC 9/125, 12 different colour xm OD 0.9mm LSZH loose tube			
Allow Loss	Insertion Loss 0.3dB	Return Loss	(APC)	60dB
TEST VALUES				
Fiber	Insertion Loss (dB)	Return Loss (dB)		
BLUE				
ORANGE				
GREEN				
BROWN				
GREY				
WHITE				
RED				
BLACK				
YELLOW				
VIOLET				
PINK				
TURQUOISE				
RESULT	OK			



		2Direct GmbH		ITEM NO.			
PRODUCT NAME		Pigtailset SC/APC 9/125 μm 12 different colours		ITEM NO.		126202 UNIT MM	
NEW		2016. 08. 25		A		DRAWNBY CHECKBY	
BY CHK		REVISION RECORD MODIFICATIONS		DATE		APPOBY DATE	
						2016. 08. 25	

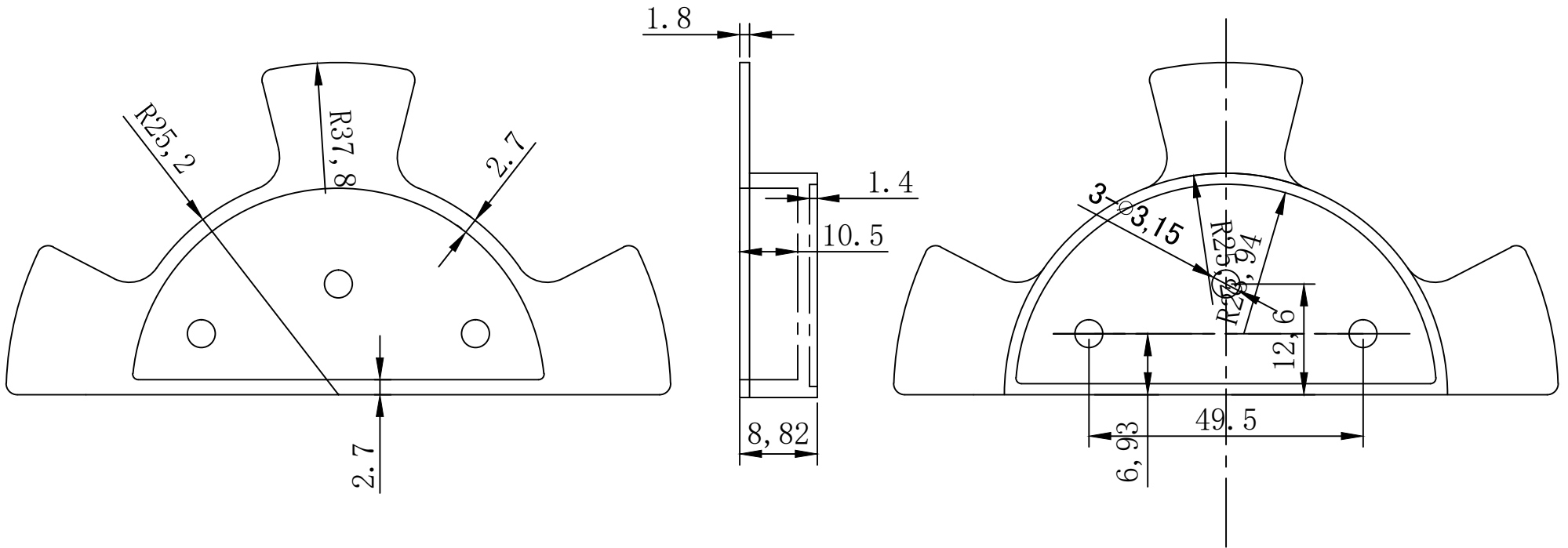


- with 2* 12 core splicing Holder ,black
- Material:Plastic (Non fire retardant)
- Color: beige
- RoHS 2.0 and Reach Compliant

Packing:1pcs/PE bag+label 1,100pcs/innet carton+outer carton+label 3

MATERIAL LIST:

②	Splic Holder	ABS/Black	2						
①	Splicing tray	24 cores splicing tray,ABS/Beige	1						
NO.	PARTS NAME	SPECIFICATION DESCRIPTION	QT'Y	REMARK	2Direct Gmbh		ITEM NO.	FB3001	
					PRODUCT NAME	Splicing tray with 2pcs of 12core holders	ITEM NO.	104202	UNIT MM
		NEW	2016.08.25	A	DRAWNBY	CHECKBY	APPOBY	DATE	
BY	CHK	REVISION RECORD MODIFICATIONS	DATE	REV.				2016.08.25	



Note:

1. COLOUR: ABS/GRAY
2. ROHS2.0 COMPLIANT
3. Accessory: Screw M3*8, Hex Nut M3*2.4

LogiLink Professional F24SD2/3/4

		2Direct Gmbh		ITEM NO.			
PRODUCT NAME		Fibre cable management Spool - Grey		ITEM NO.		UNIT MM	
NEW		2016. 08. 25		A		DRAWNBY CHECKBY APPOBY DATE	
BY	CHK	REVISION RECORD MODIFICATIONS		DATE	REV.	2016. 08. 25	