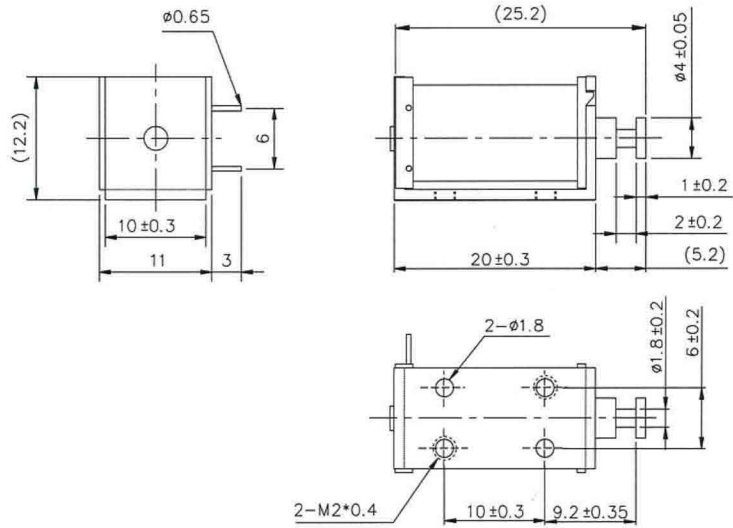
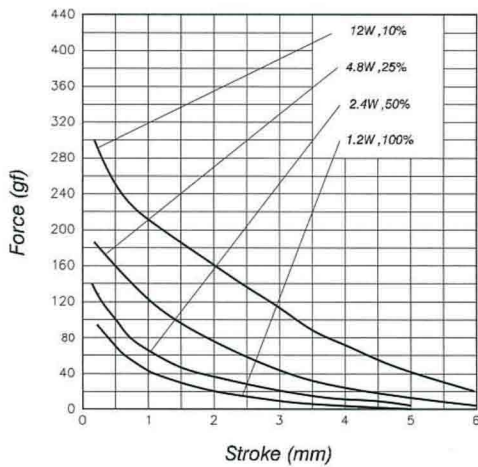


Plunger Weight : 2g
 Total Weight : 8g

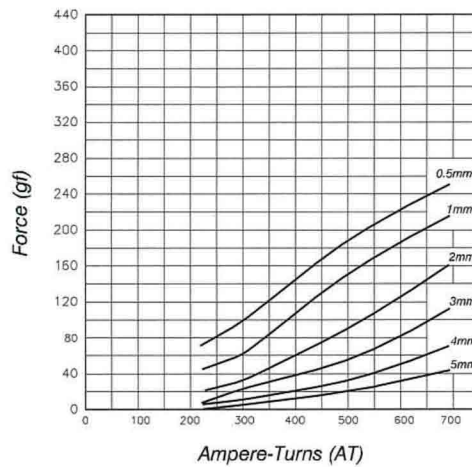


Shown Energized UNIT : mm

STROKE Vs FORCE



AMPERE-TURNS Vs FORCE



COIL DATA

$\text{Duty cycle (\%)} = \frac{\text{"ON" time}}{\text{"ON" time} + \text{"OFF" time}} \times 100\%$			Continuous (100%)	Or less (50%)	Or less (25%)	Or less (10%)
$(\%) = \frac{\text{ON}}{\text{ON} + \text{OFF}} \times 100\%$			(100%)	(50%)	(25%)	(10%)
MAX. "on" time in seconds ON			∞	50	18	2
Watts at 20°C (W) 20°C			1.2	2.4	4.8	12.0
Ampere-turns at 20°C AT 20°C			219	309	438	692
Type no.	Resistance (20°C) $\Omega \pm 10\%$	No. turns	Volts DC			
	$(\Omega) \pm 10\%$					
EMA-0420L-06	30	1095	6	8.5	12	19
EMA-0420L-12	120	2190	12	17	24	38
EMA-0420L-24	480	4380	24	34	48	76
EMA-0420L-48	1920	8760	48	68	96	152