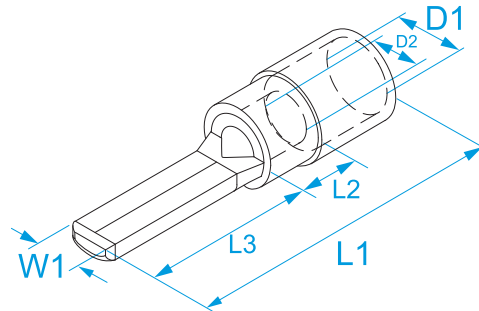






Product family: Terminals - Fork and pin terminals
Code: 00450, 00550, 00650
Description: TERMINAL LUGS FOR COPPER CONDUCTORS · NYLON INSULATED · BLACK · PIN

Image:

Technical Drawing:

Specifications:

TERMINAL MATERIAL: tinned copper
INSULATION MATERIAL: polyamide (PA 6.6)
INSULATION SELF-EXTINGUISHING GRADE: UL 94 V0
OPERATING TEMPERATURE: 125 °C max

Code	Color	Section (mm ²)	Section (AWG/MCM)	W1 (mm)	L1 (mm)	L2 (mm)	L3 (mm)	D1 (mm)	D2 (mm)	
00450		Black	10 (8)	4,3	35,5	8	12	8,2	4,5	100/100
00550		Black	16 (6)	5,5	38	10	13	9	5,8	100/100
00650		Black	25 (4)	6,8	47,5	13,5	15	11,5	6,7	100/100

HALOGEN
 **FREE**

 125 °C

V0