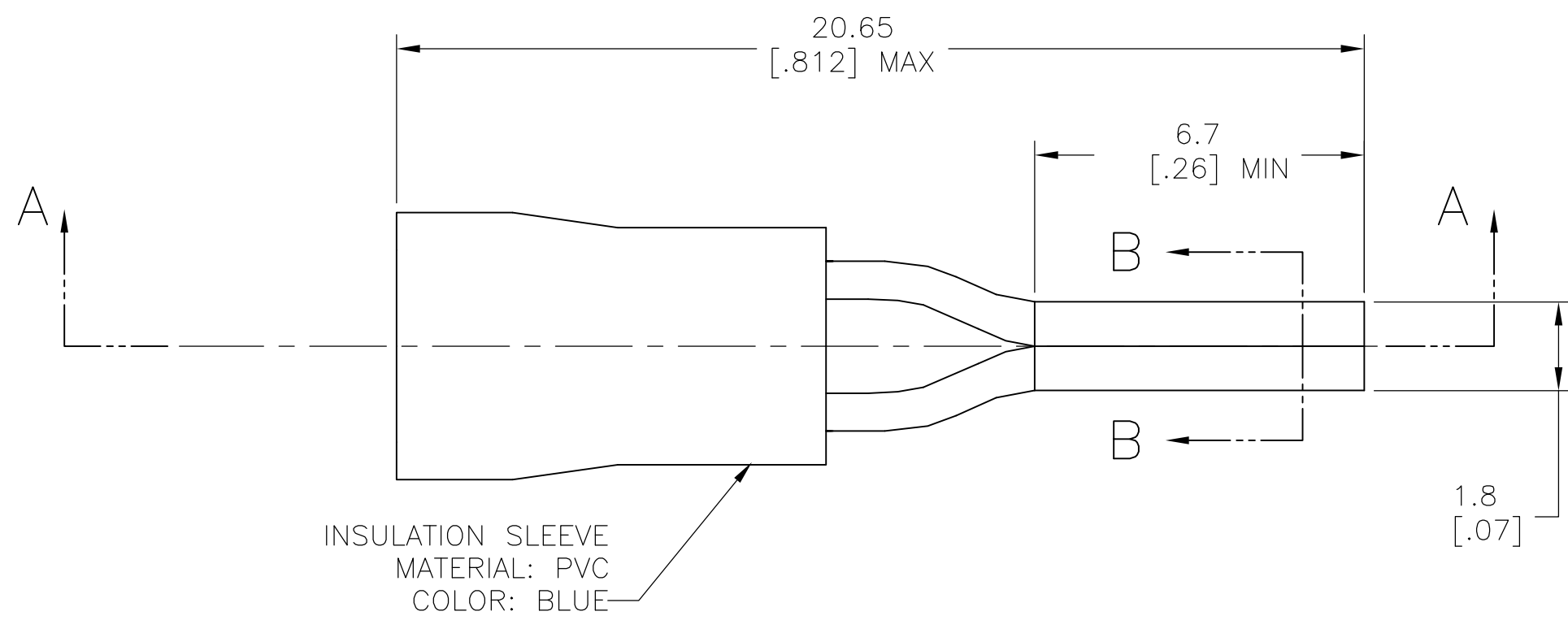


THIS DRAWING IS UNPUBLISHED. RELEASED FOR PUBLICATION
 © COPYRIGHT - By - ALL RIGHTS RESERVED.

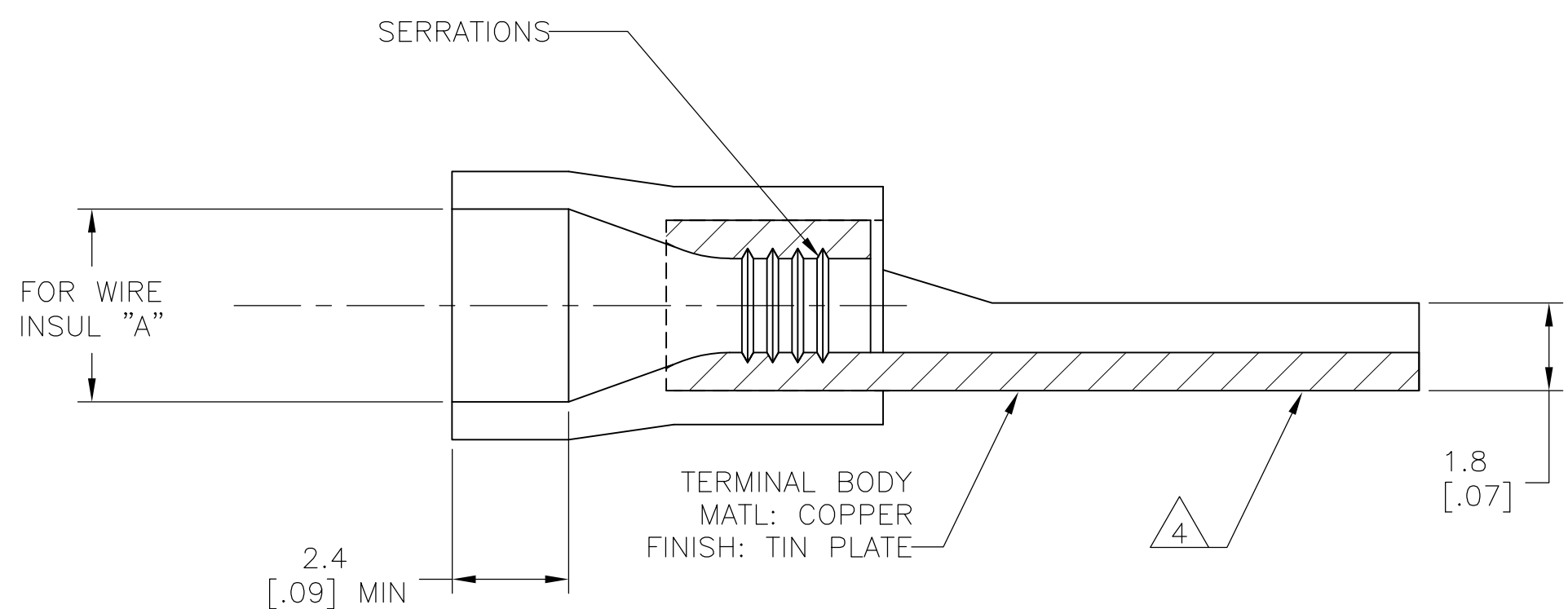
LOC	DIST	REVISIONS			
P	LTR	DESCRIPTION	DATE	DWN	APVD
G	14				
	K2	REVISED PER ECO-14-003208	13MAR2014	NK	DR



INSULATION SLEEVE
 MATERIAL: PVC
 COLOR: BLUE

- 1 PRELIMINARY - NOT FOR PRODUCTION
- 2 SUPERSEDED BY 165075
- 3 MAX RECOMMENDED OPERATING TEMPERATURE 105°C [221°F]
- 4 STAMP AMP 16-14* APPROX AS SHOWN

AMP WIRE RANGE	RU FILE E13288
16-14 AWG STRANDED	16-14 AWG STRANDED



TERMINAL BODY
 MATL: COPPER
 FINISH: TIN PLATE

SECTION B-B

SECTION A-A

QTY	PACKAGE TYPE	FOR WIRE INSULATION "A"	PART NO
-	-	2.92-4.83 [.115-.190]	1 2-165075-0
-	-	2.92-4.32 [.115-.170]	2 165075-1
1000	LOOSE PIECE	2.92-4.83 [.115-.190]	165075

THIS DRAWING IS A CONTROLLED DOCUMENT.		DWN jr ruth 04JUN07	TE TE Connectivity	
DIMENSIONS: mm [INCHES]		CHK T MICHELUTTI 04JUN07		
TOLERANCES UNLESS OTHERWISE SPECIFIED:		APVD T MICHELUTTI 04JUN07	NAME	
0 PLC ± -		PRODUCT SPEC	TERMINAL, WIRE PIN, PLASTI-GRIP,	
1 PLC ± 0.5[.02]		APPLICATION SPEC	SIZE	CAGE CODE
2 PLC ± 0.20[.007]			A2	00779
3 PLC ± -		WEIGHT	DRAWING NO	
4 PLC ± -			C=165075	
ANGLES ± 1°		CUSTOMER DRAWING	SCALE	SHEET
FINISH			8:1	1 of 1
MATERIAL			REV	K2