

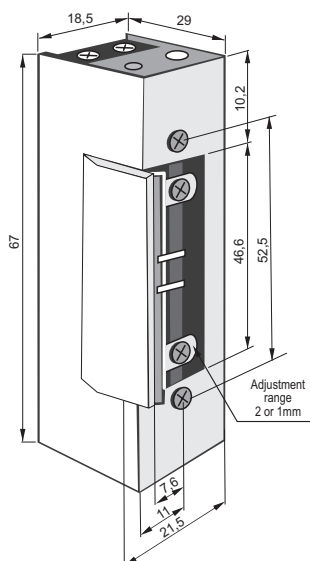
LATCH GUIDE SYSTEM



FEATURES

- ✓ Radial, with special latch guide system, opened at minimal swing.
- ✓ Reversible (left and right hand).
- ✓ Symmetrical and narrow.
- ✓ Height 67 mm., width 18,5 mm.
- ✓ Fail - secure (NC) and fail-safe (NO) models.
- ✓ Assembling screws distance - 52,5 mm.
- ✓ Latch adjustment - 2 or 1 mm.
- ✓ Power supply: 6,12, 24, 48 V AC / DC.
- ✓ 24 hours working models.
- ✓ Low or zero low power consumption.
- ✓ Optionally manual release lever, internal automatism (hold - open).
- ✓ Durability: grade C - 200,000 cycles.
- ✓ Category of use - grade 3 - suitable for public buildings.
- ✓ Certificate of Conformity acc. to EN 14846.

TECHNICAL DATA



Model			Rel.lever	Hold-Open
Standard	Low consump.	NO		
1410 RFT	1418 RFT	1411 RFT		
1420 RFT	1428 RFT	1421 RFT	<input checked="" type="checkbox"/>	
1433 RFT	1438 RFT	-		<input checked="" type="checkbox"/>
1443 RFT	1448 RFT	-	<input checked="" type="checkbox"/>	<input checked="" type="checkbox"/>

Power supply (V)	6-12V AC/DC Standard	12-24V AC/DC Standard	12-24V AC/DC Low consump. 12V	24-48V AC/DC Low consump. 24V	12V DC NO	24V DC NO
Tolerance (%)	± 5 %					
Continuous work	< 1 min.	< 1 min.	100 % 12V DC <1 min. 12V AC <1 min.24V AC/DC	100 % 24V DC <1 min. 24V AC <1 min.48V AC/DC	100 %	100 %
Resistance (Ω)	8,5	20	40	140	40	140
Power consumption DC (mA)	6V / 700 12V / 1400	12V / 600 24V / 1100	12V / 300 24V / 600	24V / 170 48V / 340	12V / 300 -	24V / 170 -
Power consumption AC (mA)	6V / 600 12V / 1200	12V / 500 24V / 1000	12V / 250 24V / 510	24V / 150 48V / 300	-	-
Max preload DC (N)	10	10	10	10	10	10
Max preload AC (N)	90	90	90	90	-	-



For multi-residential houses access control we recommend models with external automatism (option).

Recommended front plates:

902EP/28-RFT, 902EL/28-RFT, 902EP/A/24RFT, 902EL/A/24-RFT, 900X/A/25-RFT and CE 196E/6U-RFT