

PLEASE CHECK WWW.MOLEX.COM FOR LATEST PART INFORMATION

Part Number: [0622031420](#)
Status: **Active**
Overview: [Application Tooling](#)
Description: Removal Tool for 8-by-20 NeoPress Plugs and Receptacles

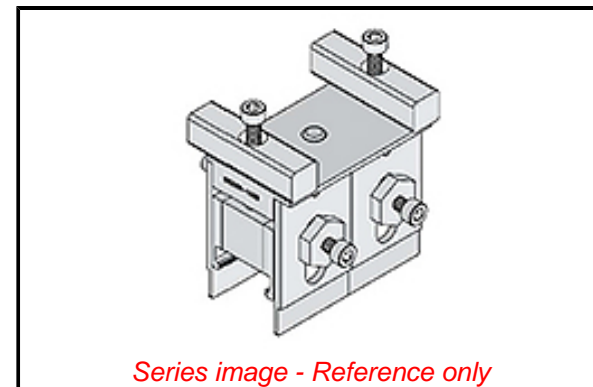
Documents:
[RoHS Certificate of Compliance \(PDF\)](#)

General

Product Family	Application Tooling
Series	207123
Comments	See Tooling Specification (PDF) Above
Function	Removal
Geographic Area	Global
Level of Automation	Manual
More Detailed Tech Information	applicationtooling@molex.com
Overview	Application Tooling
Product Name	NeoPress
Tool Type	Press-Fit Extraction Tool
UPC	191128324311
Warranty Disclaimer	CAUTION: Molex tooling crimp specifications are valid only when used with Molex terminals and tooling manufactured by Molex and sold by Molex or authorized distributors ("Molex Tooling"). When using tooling other than Molex Tooling with Molex specific connector systems listed in our ATS documents, the Molex tooling qualification does not apply and the responsibility for full qualification of the connector system is that of the customer. Molex accepts no liability for connector performance or tooling support where tooling other than Molex Tooling is used or where Molex Tooling is modified.

Material Info

Reference - Drawing Numbers
Application Tooling Documents [ATS-622031420](#)



Series image - Reference only

EU ELV

Not Reviewed

EU RoHS

Not Reviewed

REACH SVHC

Not Reviewed

Halogen-Free

Status

Not Reviewed

For more information, please visit [Contact US](#)

China ROHS

Not Reviewed

ELV

Not Reviewed

RoHS Phthalates

Not Reviewed

Search Parts in this Series

[207123 Series](#)

Application Tooling | **FAQ**
Description | **Product #**

NeoPress High-Speed Mezzanine Plug, 3.50mm Pitch, 8x20, 160 Triads (480 Circuits), 21.50mm Connector Height, 0.76µm Gold (Au) Plating	1728010010
NeoPress High-Speed Mezzanine Receptacle, 3.50mm Pitch, 8x20, 160 Triads (480 Circuits), 18.50mm Connector Height, 0.76µm Gold (Au) Plating	1728320010