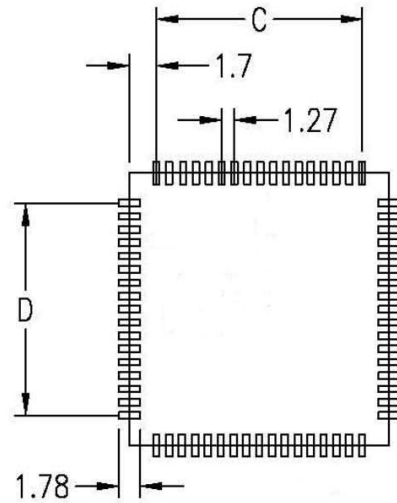
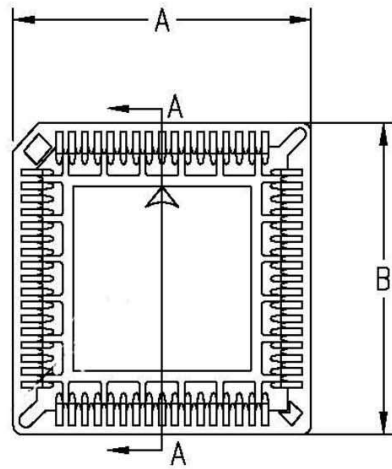


1 2 3 4 5 6 7 8

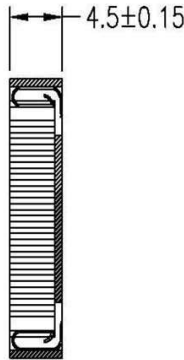
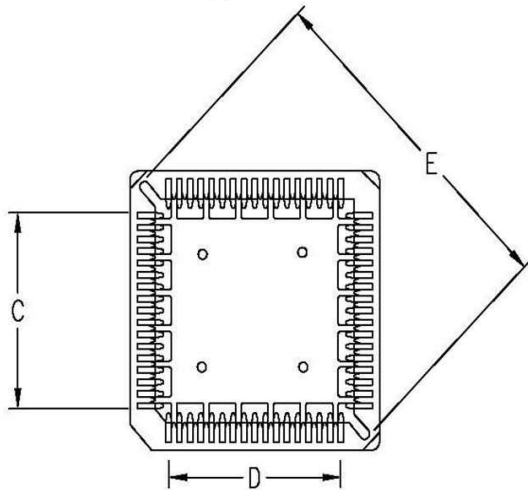
A
B
C
D
E
F
G
H



P.C.B LAYOUT

NO OF CONTACT	A±0.3	B±0.3	C±0.3	D±0.3	E±0.3
20	15.24	15.24	5.08	5.08	16.70
28	17.78	17.78	7.62	7.62	20.30
52	25.74	25.74	15.24	15.24	31.13
68	30.82	30.82	20.32	20.32	38.31
84	35.90	35.90	25.40	25.40	45.50

Insulator Material: PPS&40% Glass Fiber (UL 94-V0)
 Contact Resistance: 30MΩ Max at Dc 100ma
 Insulator Resistance: 1000MΩ Min at Dc 500V
 Current Rating: 1AMP
 Dielectric Withstand Voltage: AC 500V for 1 minute
 Temperature Rating: -55 deg C ~+ 105 deg C
 Contact Material: Phosphor Bronze



SECTION A-A

RoHS Compliant		TOLERANCE 容許公差 .0 ± .00 ± ANG. ±	PART NAME 品名 PLCC SOCKET SMT TYPE 1.27mm XXP W/O POLARIZATION PEG TUBE PACKING STYLE TIN PLATING BROWN COLOR ROHS
APPD. 核准	SCALE 比例 参考		
DWG. 製圖	UNIT 單位 MM	SIZE 紙張尺寸 A4	PART NO. 料號 PLCC-xxSMD
DATE 製表日 2012/4/18	PAGE 張數 1 OF 1	REV. 版本 B	

1 2 3 4 5 6 7 8