

1 2 3 4 5 6 7 8

A

A

B

B

C

C

D

D

E

E

F

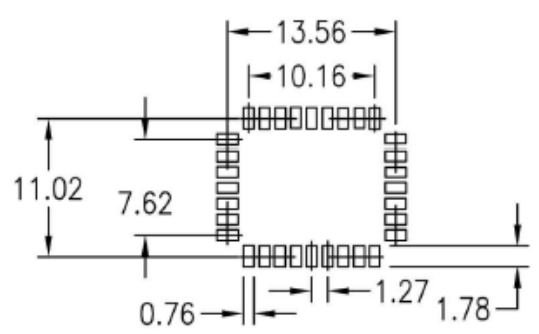
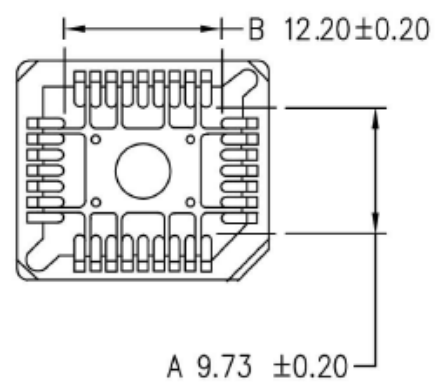
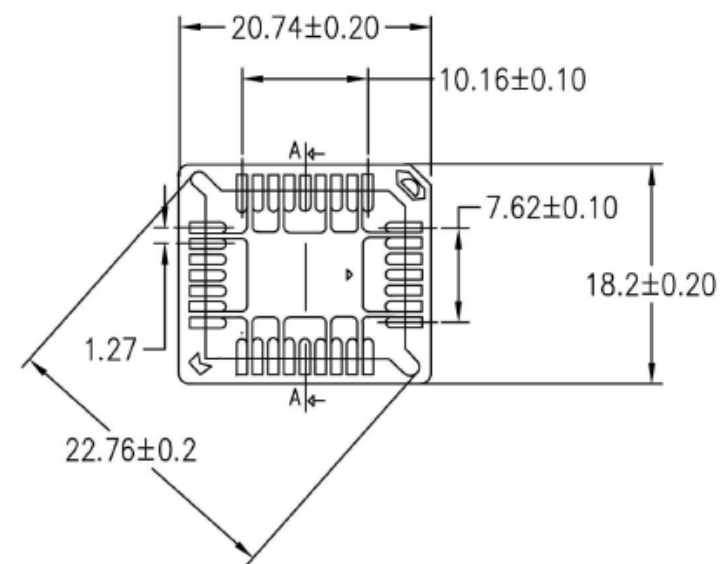
F

G

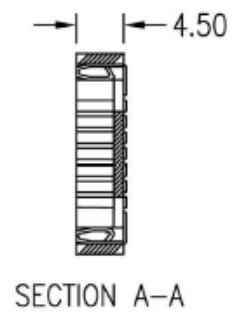
G

H

H



RECOMMENDED P.C.B PAD LAYOUT



Insulator Material:PPS&40% Glase Fiber(UL 94V-0)
 Contact Resistance:30minΩ MAX at Dc 100ma
 Insulator Resistance:1000M Ω Min at Dc 500V
 Current Rating:1AMP
 Dielectric wuthstanding voltage:Ac 500V for 1 minute
 Temperature Rating: -55 C ~+105C
 Contact Material:Phosphor Bronze

**RoHS
Compliant**

Ninigi

APPD. 核准 Megan	SCALE 比例 参考	TOLERANCE 容许公差 D ± .00 ± ANG. ±	PART NAME 品名 PLCC SOCKET SMT TYPE 1.27mm 32P W/O POLARIZATION PEG TUBE PACKING TIN PLATING BROWN COLOR ROHS
DWG. 製圖 Hedy	UNIT 單位 MM	SIZE. 紙張尺寸 A 4	PART NO. 料號 PLCC-32SMD
DATE 列表日 2009/02/03	PAGE 張數 1 / 1	REV. 版次 A	

1 2 3 4 5 6 7 8