

REV.	DESCRIPTION	DRAWN	CHECKED	APPROVED
A	NEW RELEASE	LL 07/02/06'	~	LJC 07/02/06'
B	ADD P/N CODE	LJC 12/12/13'		

NOTES:

- SPECIFICATIONS:
 - CONTACT RESISTANCE: 20mΩ Max.
 - DIELECTRIC WITHSTANDING VOLTAGE: 500V AC FOR 1 MINUTE.
 - INSULATION RESISTANCE: 1000MΩ Min.
 - OPERATING TEMPERATURE: -40°C~+105°C.
 - MALE PIN RANGE: $\phi 0.381 \sim 0.635$.
 - CURRENT RATING: 3A Per Pin Max.

2. PRODUCT NUMBER CODE:

DS1002-01 - X X X X - X

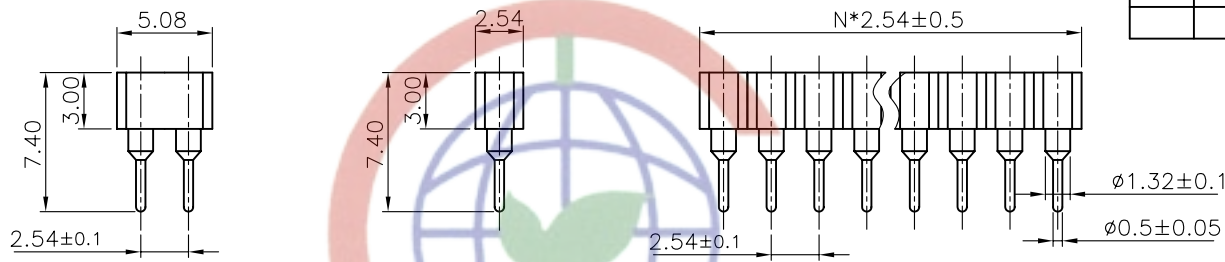
CLIP TYPE®
JK: IMPORT
GC: DOMESTIC

Clip plating
1: Tin 150u"
2: Tin 200u"
3: G/F
4: Gold 3u"
5: Gold 10u"
6: Gold 15u"

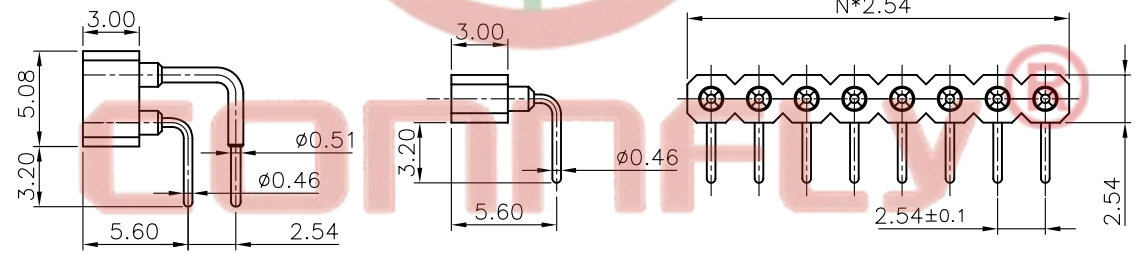
Pin plating
1: Tin 150u"
2: Tin 200u"
3: G/F
4: Gold 3u"
5: Gold 10u"
6: Gold 15u"

Mounting type
V: V/T TYPE
R: R/A TYPE
S: SMT TYPE

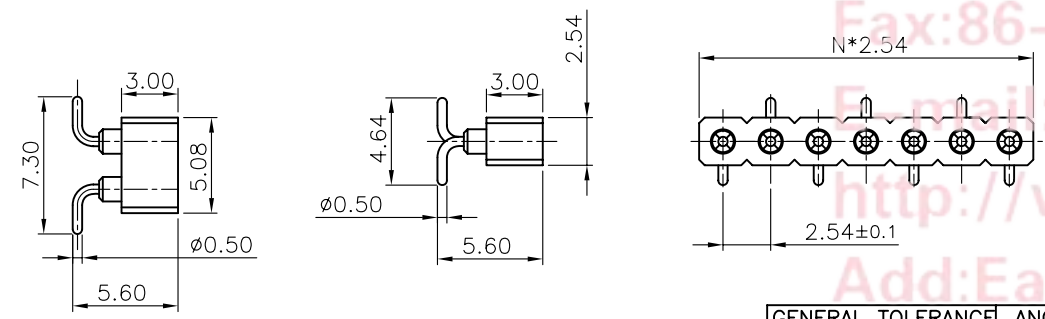
No. of contacts
1*1 - 1*64
2*1 - 2*40



Dual rows
Single row
V/T TYPE



Dual rows
Single row
R/A TYPE



Dual rows
Single row
SMT TYPE

N: No. of contacts

GENERAL TOLERANCE		ANGLE TOLERANCE	
X.	±0.60	X.	±5°
.X	±0.38	.X	±3°
.XX	±0.25	.XX	±2°

DRAWING TYPE	CUSTOMER
SCALE	1:1 SHEET 10F1
DRAWING NO.	C-DS1002-01-XXXX-X-B

PROJECTION		TITLE	2.54mm IC SOCKET(Machine Pin) R/A, V/T & SMT Type
UNITS	mm	SHEET	10F1
SHEET SIZE	A4	SERIES	DS1002-01 SERIES

晨翔电子有限公司
CONNFLY® CONNFLY ELECTRONIC CO., LTD

Tel:86-574-63508787

Fax:86-574-63510817

E-mail:sale@connfly.com

http://www.connfly.com

Add:East Industry Zone KuangYan

Town Cui Ningbo China

P.C:0573333