

## DG441, DG442

Monolithic, Quad SPST, CMOS Analog Switches

FN3281  
Rev 10.00  
Nov 20, 2006

The DG441 and DG442 monolithic CMOS analog switches are drop-in replacements for the popular DG201A and DG202 series devices. They include four independent single pole single throw (SPST) analog switches, TTL and CMOS compatible digital inputs, and a voltage reference for logic thresholds.

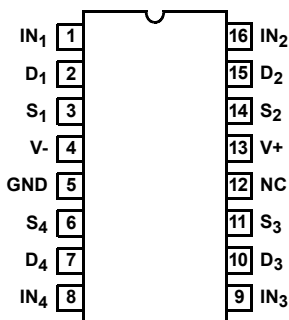
These switches feature lower analog ON resistance (<85Ω) and faster switch time ( $t_{ON}$  <250ns) compared to the DG201A and DG202. Charge injection has been reduced, simplifying sample and hold applications.

The improvements in the DG441 series are made possible by using a high voltage silicon-gate process. An epitaxial layer prevents the latch-up associated with older CMOS technologies. The 44V maximum voltage range permits controlling 40V<sub>P-P</sub> signals. Power supplies may be single ended from +5V to +34V, symmetrical supplies from ±5V to ±22V or asymmetrical supplies limited to a maximum differential voltage of 44V with a V+ max of 34V or a V- max of -25V.

The four switches are bilateral, equally matched for AC or bidirectional signals. The ON resistance variation with analog signals is quite low over a ±5V analog input range. The switches in the DG441 and DG442 are identical, differing only in the polarity of the selection logic.

### Pinout

DG441, DG442  
(16 LD PDIP, SOIC, TSSOP)  
TOP VIEW



### Features

- ON Resistance (Max) . . . . . 85Ω
- Low Power Consumption (P<sub>D</sub>) . . . . . <1.6mW
- Fast Switching Action
  - $t_{ON}$  (Max) . . . . . 250ns
  - $t_{OFF}$  (Max, DG441) . . . . . 120ns
- Low Charge Injection
- Upgrade from DG201A, DG202
- TTL, CMOS Compatible
- Single or Split Supply Operation
- Pb-Free Plus Anneal Available (RoHS Compliant)

### Applications

- Audio Switching
- Battery Operated Systems
- Data Acquisition
- Hi-Rel Systems
- Sample and Hold Circuits
- Communication Systems
- Automatic Test Equipment

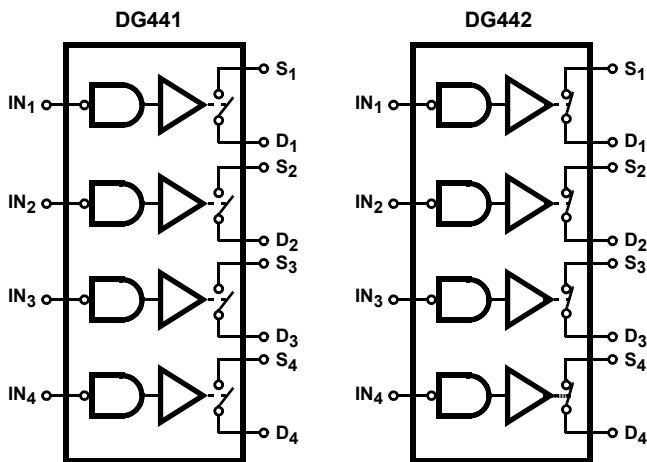
### Ordering Information

PART NUMBER	PART MARKING	TEMP. RANGE (°C)	PACKAGE	PKG. DWG. #
DG441DJ	DG441DJ	-40 to +85	16 Ld PDIP	E16.3
DG441DJZ (Note)	DG441DJZ	-40 to +85	16 Ld PDIP* (Pb-free)	E16.3
DG441DY	DG441DY	-40 to +85	16 Ld SOIC	M16.15
DG441DY-T	DG441DY	16 Ld SOIC Tape and Reel		M16.15
DG441DYZ (Note)	DG441DYZ	-40 to +85	16 Ld SOIC (Pb-free)	M16.15
DG441DYZ-T (Note)	DG441DYZ	16 Ld SOIC Tape and Reel (Pb-free)		M16.15
DG441DYZA (Note)	DG441DYZ	-40 to +85	16 Ld SOIC (Pb-free)	M16.15
DG441DYZA-T (Note)	DG441DYZ	16 Ld SOIC Tape and Reel (Pb-free)		M16.15
DG441DVZ (Note)	DG441DVZ	-40 to +85	16 Ld TSSOP (Pb-free)	M16.173
DG441DVZ-T (Note)	DG441DVZ	-40 to +85	16 Ld TSSOP Tape and Reel (Pb-free)	M16.173
DG442DJ	DG442DJ	-40 to +85	16 Ld PDIP	E16.3
DG442DJZ (Note)	DG442DJZ	-40 to +85	16 Ld PDIP* (Pb-free)	E16.3
DG442DY	DG442DY	-40 to +85	16 Ld SOIC	M16.15
DG442DY-T	DG442DY	16 Ld SOIC Tape and Reel		M16.15
DG442DYZ (Note)	DG442DYZ	-40 to +85	16 Ld SOIC (Pb-free)	M16.15
DG442DYZ-T (Note)	DG442DYZ	16 Ld SOIC Tape and Reel (Pb-free)		M16.15
DG442DVZ (Note)	DG442DVZ	-40 to +85	16 Ld TSSOP (Pb-free)	M16.173
DG442DVZ-T (Note)	DG442DVZ	16 Ld TSSOP Tape and Reel (Pb-free)		M16.173

**\*Pb-free PDIPs can be used for through hole wave solder processing only. They are not intended for use in Reflow solder processing applications.**

NOTE: Intersil Pb-free plus anneal products employ special Pb-free material sets; molding compounds/die attach materials and 100% matte tin plate termination finish, which are RoHS compliant and compatible with both SnPb and Pb-free soldering operations. Intersil Pb-free products are MSL classified at Pb-free peak reflow temperatures that meet or exceed the Pb-free requirements of IPC/JEDEC J STD-020.

### Functional Diagrams

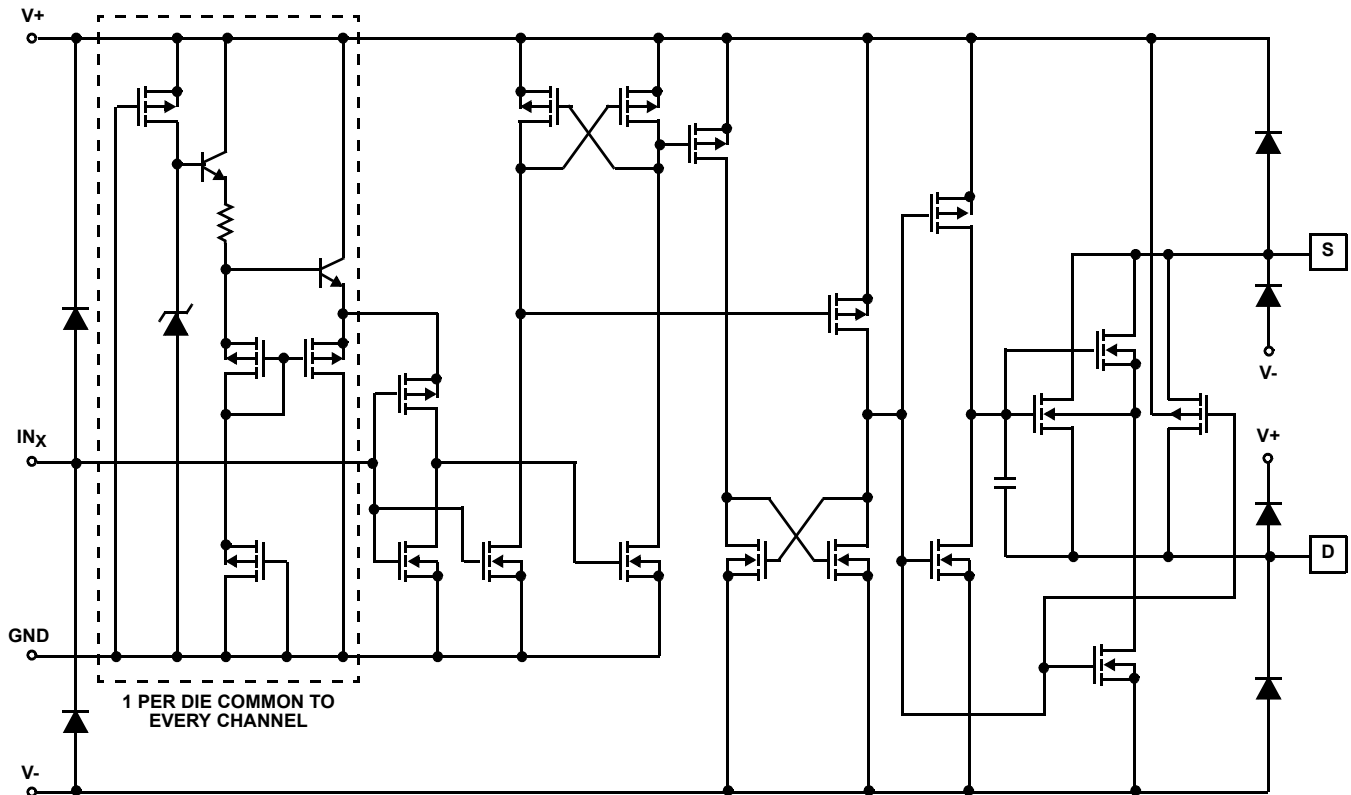


SWITCHES SHOWN FOR LOGIC "1" INPUT

TRUTH TABLE

LOGIC	V <sub>IN</sub>	DG441	DG442
0	≤0.8V	ON	OFF
1	≥2.4V	OFF	ON

**Schematic Diagram** (One Channel)



**Pin Descriptions**

PIN	SYMBOL	DESCRIPTION
1	IN <sub>1</sub>	Logic Control for Switch 1
2	D <sub>1</sub>	Drain (Output) Terminal for Switch 1
3	S <sub>1</sub>	Source (Input) Terminal for Switch 1
4	V-	Negative Power Supply Terminal
5	GND	Ground Terminal (Logic Common)
6	S <sub>4</sub>	Source (Input) Terminal for Switch 4
7	D <sub>4</sub>	Drain (Output) Terminal for Switch 4
8	IN <sub>4</sub>	Logic Control for Switch 4
9	IN <sub>3</sub>	Logic Control for Switch 3
10	D <sub>3</sub>	Drain (Output) Terminal for Switch 3
11	S <sub>3</sub>	Source (Input) Terminal for Switch 3
12	NC	No Internal Connection
13	V+	Positive Power Supply Terminal (Substrate)
14	S <sub>2</sub>	Source (Input) Terminal for Switch 2
15	D <sub>2</sub>	Drain (Output) Terminal for Switch 2
16	IN <sub>2</sub>	Logic Control for Switch 2

**Absolute Maximum Ratings**

V+ to V-	44.0V
GND to V-	-25V
GND to V+	+34V
Digital Inputs, V <sub>S</sub> , V <sub>D</sub> (Note 1)	
..... (V-) -2V to (V+) + 2V or 30mA, Whichever Occurs First	
Continuous Current (Any Terminal)	30mA
Peak Current, S or D (Pulsed 1ms, 10% Duty Cycle Max)	100mA

**Operating Conditions**

Temperature Range	-40°C to +85°C
Signal Voltage Range	±20V (Max)
Input Low Voltage	0.8V (Max)
Input High Voltage	2.4V (Min)
Input Rise and Fall Time	≤20ns

*CAUTION: Stresses above those listed in "Absolute Maximum Ratings" may cause permanent damage to the device. This is a stress only rating and operation of the device at these or any other conditions above those indicated in the operational sections of this specification is not implied.*

**NOTES:**

1. Signals on S<sub>X</sub>, D<sub>X</sub> or I<sub>NX</sub> exceeding V+ or V- will be clamped by internal diodes. Limit forward diode current to maximum current ratings.
2. θ<sub>JA</sub> is measured with the component mounted on a high effective thermal conductivity test board in free air. See Tech Brief TB379 for details.

**Electrical Specifications** (Dual Supply) Test Conditions: V+ = +15V, V- = -15V, V<sub>IN</sub> = 2.4V, 0.8V, V<sub>ANALOG</sub> = V<sub>S</sub>, V<sub>D</sub>. Unless Otherwise Specified

PARAMETER	TEST CONDITIONS	TEMP (°C)	MIN	(NOTE 3) TYP	MAX	UNITS
<b>DYNAMIC CHARACTERISTICS</b>						
Turn-ON Time, t <sub>ON</sub>	R <sub>L</sub> = 1kΩ, C <sub>L</sub> = 35pF, V <sub>S</sub> = ±10V, (Figure 1)	+25	-	150	250	ns
Turn-OFF Time, t <sub>OFF</sub>		+25	-	90	120	ns
DG441			-	110	210	ns
DG442						
Charge Injection, Q (Figure 2)	C <sub>L</sub> = 1nF, V <sub>G</sub> = 0V, R <sub>G</sub> = 0Ω	+25	-	-1	-	pC
OFF Isolation (Figure 4)	R <sub>L</sub> = 50Ω, C <sub>L</sub> = 5pF, f = 1MHz	+25	-	60	-	dB
Crosstalk (Channel-to-Channel) (Figure 3)		+25	-	-100	-	dB
Source OFF Capacitance, C <sub>S(OFF)</sub>	f = 1MHz, V <sub>ANALOG</sub> = 0 (Figure 5)	+25	-	4	-	pF
Drain OFF Capacitance, C <sub>D(OFF)</sub>		+25	-	4	-	pF
Channel ON Capacitance, C <sub>D(ON)</sub> + C <sub>S(ON)</sub>		+25	-	16	-	pF
<b>DIGITAL INPUT CHARACTERISTICS</b>						
Input Current V <sub>IN</sub> Low, I <sub>IL</sub>	V <sub>IN</sub> Under Test = 0.8V, All Others = 2.4V	Full	-0.5	-0.00001	0.5	μA
Input Current V <sub>IN</sub> High, I <sub>IH</sub>	V <sub>IN</sub> Under Test = 2.4V, All Others = 0.8V	Full	-0.5	0.00001	0.5	μA
<b>ANALOG SWITCH CHARACTERISTICS</b>						
Analog Signal Range, V <sub>ANALOG</sub>		Full	-15	-	15	V
Drain-Source ON Resistance, r <sub>DS(ON)</sub>	I <sub>S</sub> = ±10mA, V <sub>D</sub> = ±8.5V, V+ = 13.5V, V- = -13.5V	+25	-	50	85	Ω
		+85	-	-	100	Ω
Source OFF Leakage Current, I <sub>S(OFF)</sub>	V+ = 16.5V, V- = -16.5V, V <sub>D</sub> = ±15.5V, V <sub>S</sub> = ±15.5V	+25	-0.5	0.01	0.5	nA
		+85	-5	-	5	nA
Drain OFF Leakage Current, I <sub>D(OFF)</sub>		+25	-0.5	0.01	0.5	nA
		+85	-5	-	5	nA
Channel ON Leakage Current, I <sub>D(ON)</sub> + I <sub>S(ON)</sub>	V+ = 16.5V, V- = -16.5V, V <sub>S</sub> = V <sub>D</sub> = ±15.5V	+25	-0.5	0.08	0.5	nA
		+85	-10	-	10	nA

**Thermal Information**

Thermal Resistance (Typical, Note 2)	θ <sub>JA</sub> (°C/W)
PDIP Package*	90
SOIC Package	115
TSSOP Package	150
Maximum Junction Temperature (Plastic Packages)	+150°C
Maximum Storage Temperature Range	-65°C to +150°C
Maximum Lead Temperature (Soldering 10s) (SOIC and TSSOP- Lead Tips Only)	+300°C

\*Pb-free PDIPs can be used for through hole wave solder processing only. They are not intended for use in Reflow solder processing applications.

**Electrical Specifications** (Dual Supply) Test Conditions:  $V_+ = +15V$ ,  $V_- = -15V$ ,  $V_{IN} = 2.4V$ ,  $0.8V$ ,  $V_{ANALOG} = V_S$ ,  $V_D$ .  
 Unless Otherwise Specified (Continued)

PARAMETER	TEST CONDITIONS	TEMP (°C)	MIN	(NOTE 3) TYP	MAX	UNITS
<b>POWER SUPPLY CHARACTERISTICS</b>						
Positive Supply Current, $I_+$	$V_+ = 16.5V$ , $V_- = -16.5V$ , $V_{IN} = 0V$ or $5V$	Full	-	15	100	$\mu A$
Negative Supply Current, $I_-$		+25	-1	-0.0001	-	$\mu A$
		Full	-5	-	-	$\mu A$
Ground Current, $I_{GND}$		Full	-100	-15	-	$\mu A$

**Electrical Specifications** (Single Supply) Test Conditions:  $V_+ = 12V$ ,  $V_- = 0V$ ,  $V_{IN} = 2.4V$ ,  $0.8V$ , Unless Otherwise Specified

PARAMETER	TEST CONDITIONS	TEMP (°C)	MIN	(NOTE 3) TYP	MAX	UNITS
<b>DYNAMIC CHARACTERISTICS</b>						
Turn-ON Time, $t_{ON}$	$R_L = 1k\Omega$ , $C_L = 35pF$ , $V_S = 8V$ , (Figure 1)	+25	-	300	450	ns
Turn-OFF Time, $t_{OFF}$		+25	-	60	200	ns
Charge Injection, $Q$ (Figure 2)	$C_L = 1nF$ , $V_G = 6V$ , $R_G = 0\Omega$	+25	-	2	-	pC
<b>ANALOG SWITCH CHARACTERISTICS</b>						
Analog Signal Range, $V_{ANALOG}$		Full	0	-	12	V
Drain-Source ON Resistance, $r_{DS(ON)}$	$I_S = 10mA$ , $V_D = 3V$ , $8V$ $V_+ = 10.8V$	+25	-	100	160	$\Omega$
		Full	-	-	200	$\Omega$
<b>POWER SUPPLY CHARACTERISTICS</b>						
Positive Supply Current, $I_+$	$V_+ = 13.2V$ , $V_- = 0V$ , $V_{IN} = 0V$ or $5V$	Full	-	15	100	$\mu A$
Negative Supply Current, $I_-$		+25	-1	-0.0001	-	$\mu A$
		Full	-100	-0.0001	-	$\mu A$
Ground Current, $I_{GND}$		Full	-100	-15	-	$\mu A$

## NOTES:

3. Typical values are for DESIGN AID ONLY, not guaranteed nor production tested.

### Test Circuits and Waveforms

$V_O$  is the steady state output with the switch on. Feedthrough via switch capacitance may result in spikes at the leading and trailing edge of the output waveform.

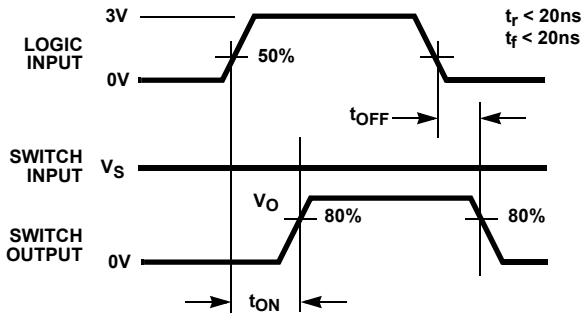


FIGURE 1A. MEASUREMENT POINTS

FIGURE 1. SWITCHING TIMES

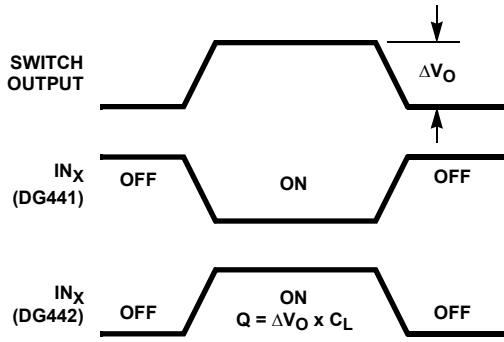
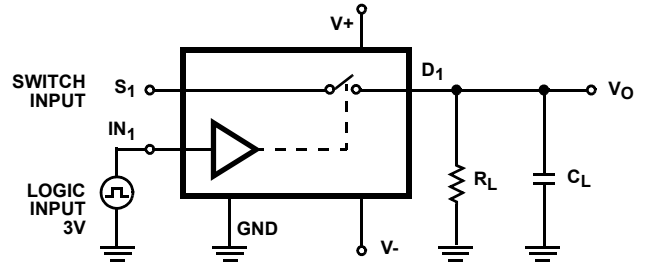


FIGURE 2A. MEASUREMENT POINTS

FIGURE 2. CHARGE INJECTION



Repeat test for Channels 2, 3 and 4.

For load conditions, see Specifications.  $C_L$  includes fixture and stray capacitance.

$$V_O = V_S \frac{R_L}{R_L + r_{DS(ON)}}$$

FIGURE 1B. TEST CIRCUIT

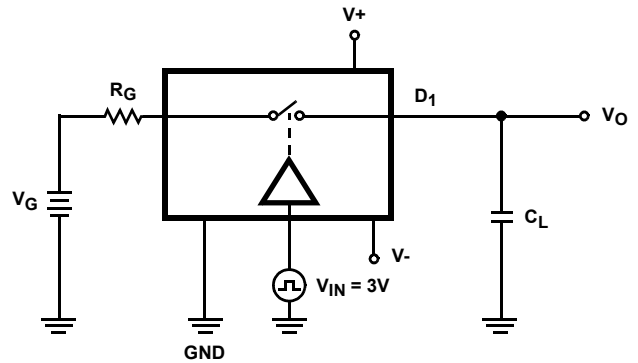


FIGURE 2B. TEST CIRCUIT

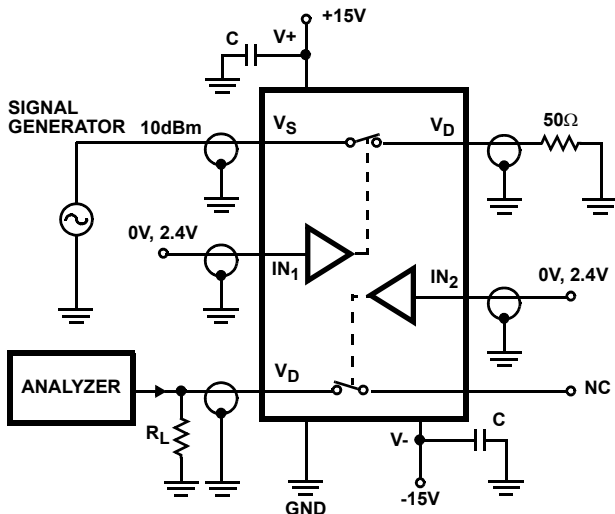


FIGURE 3. CROSTALK TEST CIRCUIT

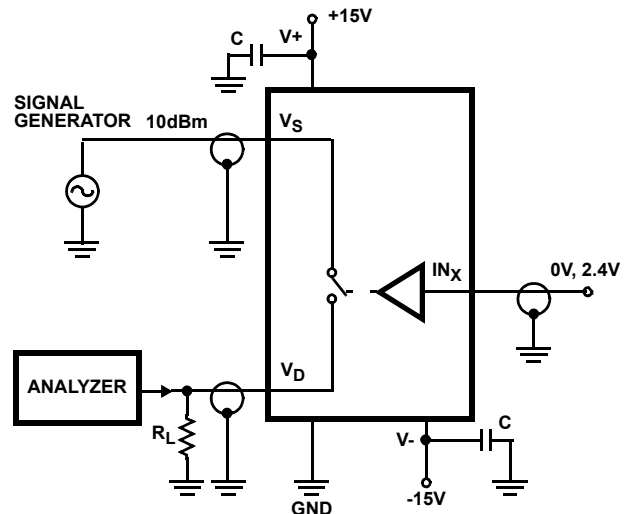


FIGURE 4. OFF ISOLATION TEST CIRCUIT

**Test Circuits and Waveforms** (Continued)

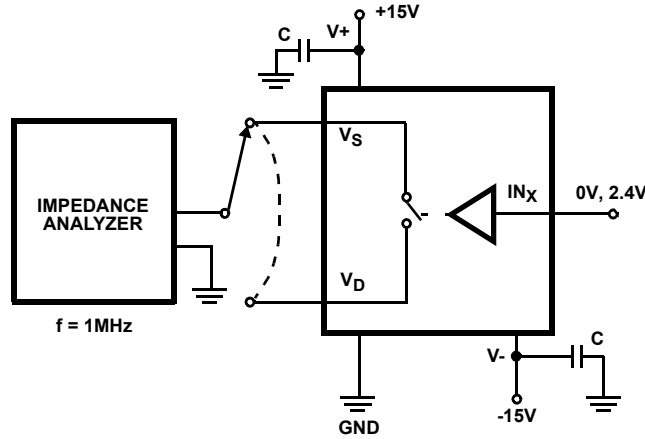
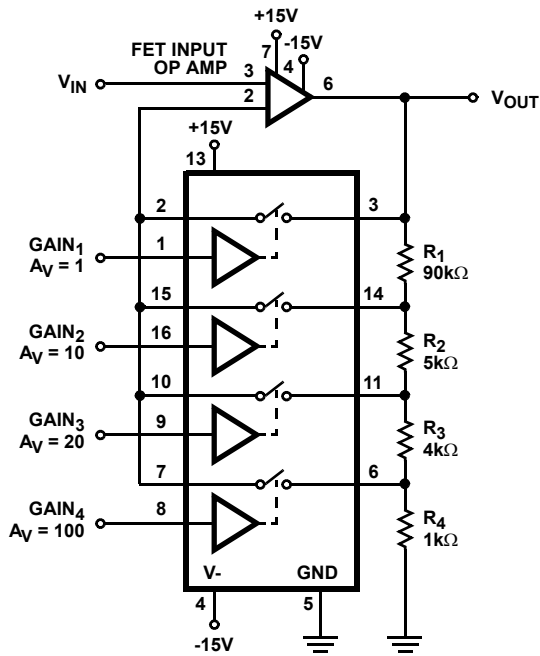


FIGURE 5. SOURCE/DRAIN CAPACITANCES TEST CIRCUIT

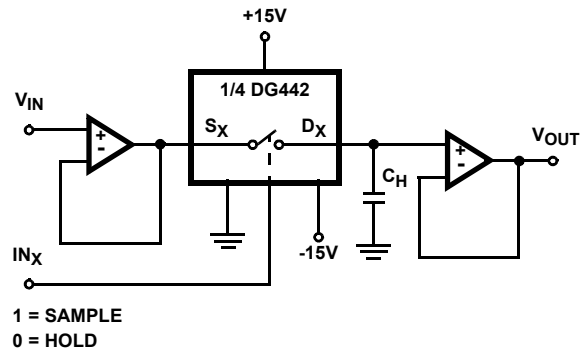
**Application Information**

GAIN ERROR IS DETERMINED ONLY BY THE RESISTOR TOLERANCE. OP AMP OFFSET AND CMRR WILL LIMIT ACCURACY OF CIRCUIT.



$$\frac{V_{OUT}}{V_{IN}} = \frac{R_1 + R_2 + R_3 + R_4}{R_4} = 100 \text{ with } SW_4 \text{ closed}$$

FIGURE 6. PRECISION WEIGHTED RESISTOR PROGRAMMABLE GAIN AMPLIFIER



1 = SAMPLE  
0 = HOLD

FIGURE 7. OPEN LOOP SAMPLE AND HOLD

### Typical Performance Curves

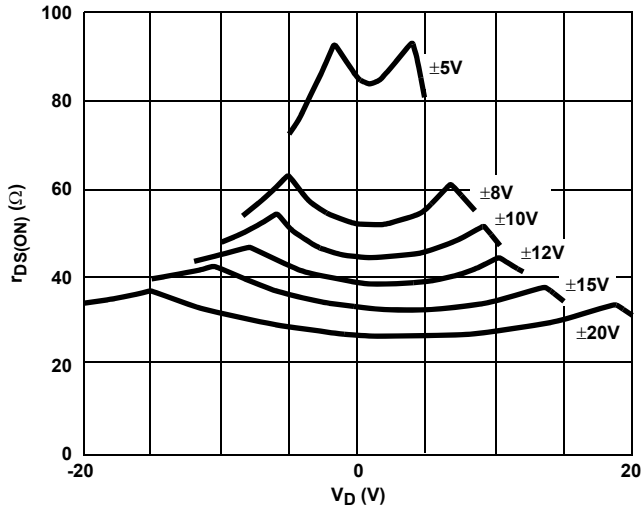


FIGURE 8.  $r_{DS(ON)}$  vs  $V_D$  AND POWER SUPPLY VOLTAGE

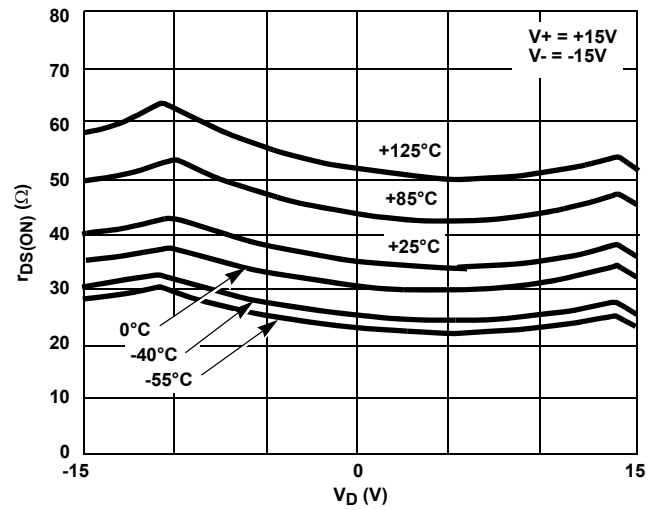


FIGURE 9.  $r_{DS(ON)}$  vs  $V_D$  AND TEMPERATURE

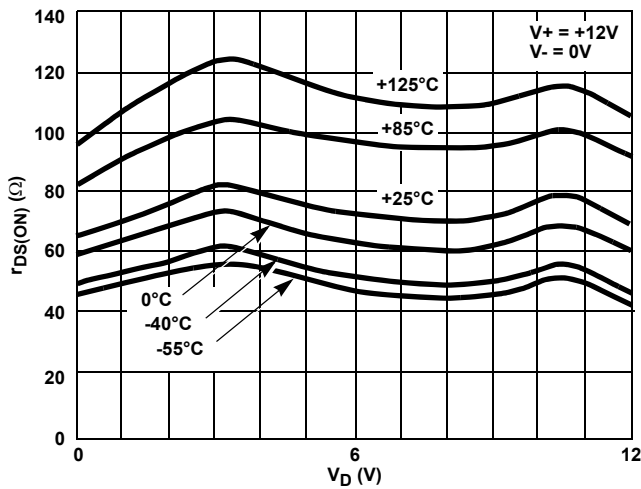


FIGURE 10.  $r_{DS(ON)}$  vs  $V_D$  AND TEMPERATURE (SINGLE 12V SUPPLY)

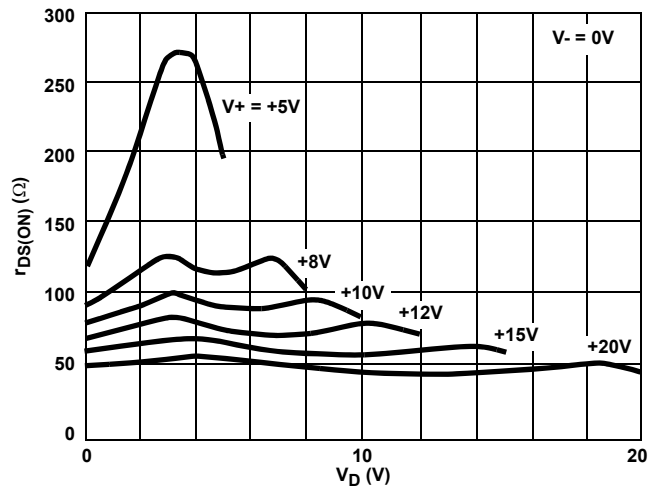


FIGURE 11.  $r_{DS(ON)}$  vs  $V_D$  AND SINGLE SUPPLY VOLTAGE

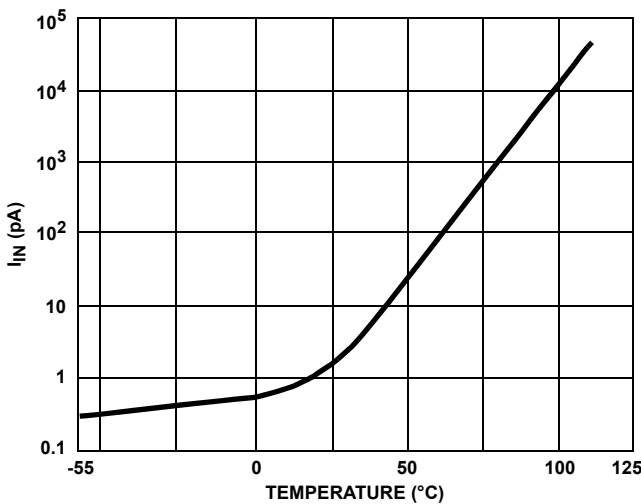


FIGURE 12. INPUT CURRENT vs TEMPERATURE

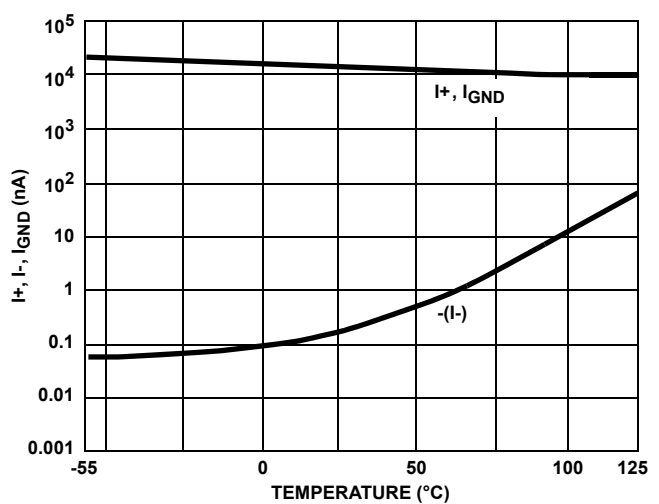


FIGURE 13. SUPPLY CURRENT vs TEMPERATURE



**Typical Performance Curves** (Continued)

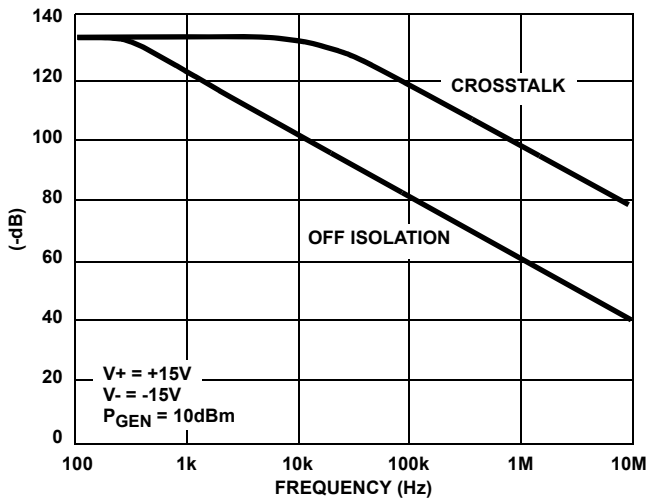


FIGURE 14. CROSSTALK AND OFF ISOLATION vs FREQUENCY

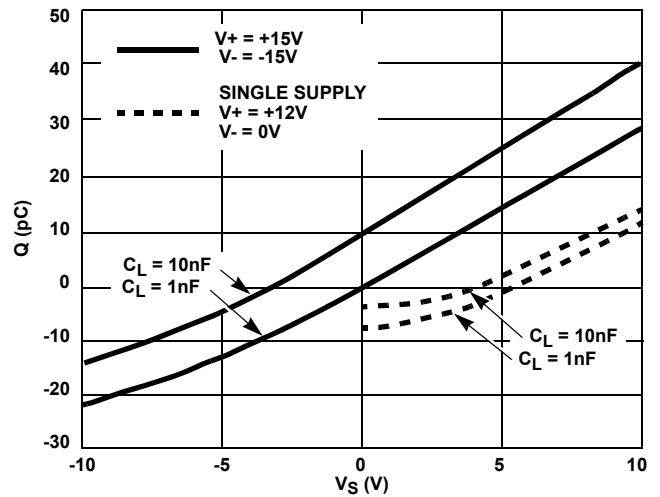


FIGURE 15. CHARGE INJECTION vs SOURCE VOLTAGE

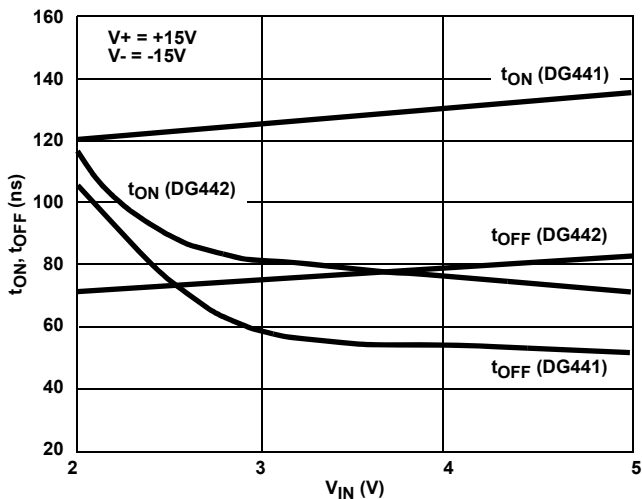


FIGURE 16. SWITCHING TIMES vs INPUT VOLTAGE

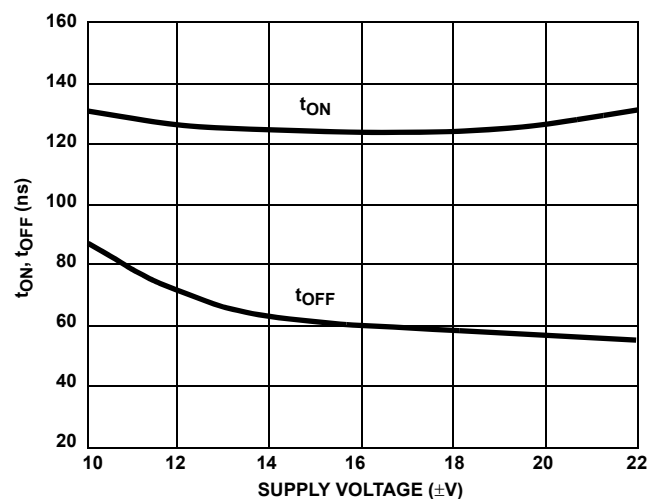


FIGURE 17. SWITCHING TIME vs POWER SUPPLY VOLTAGE (DG441)

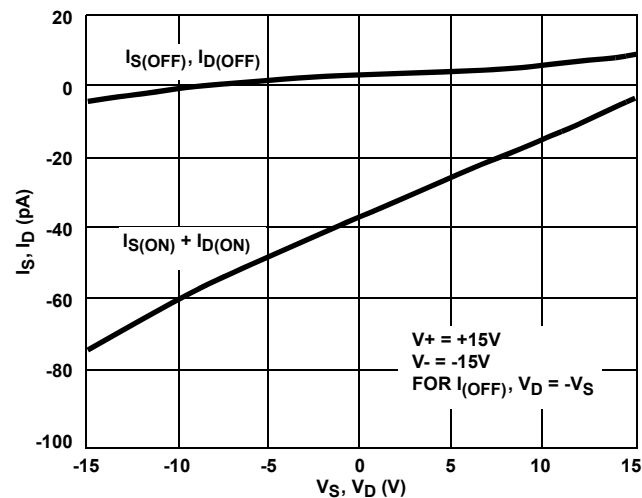


FIGURE 18. LEAKAGE CURRENT vs ANALOG VOLTAGE

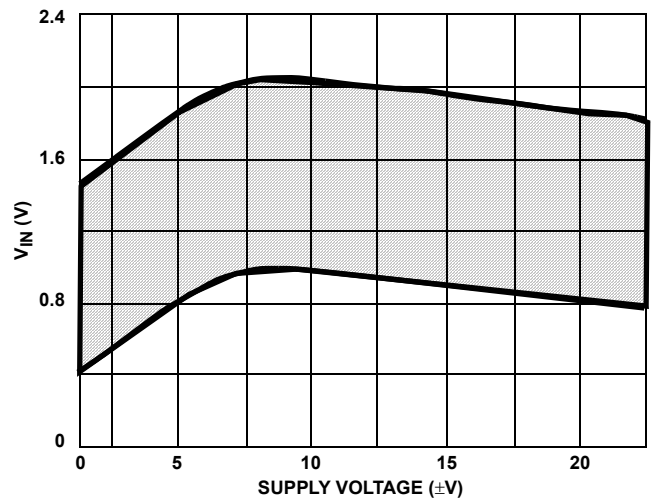
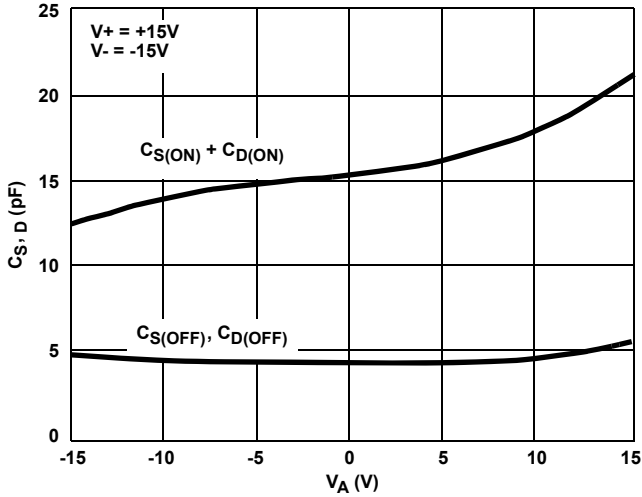
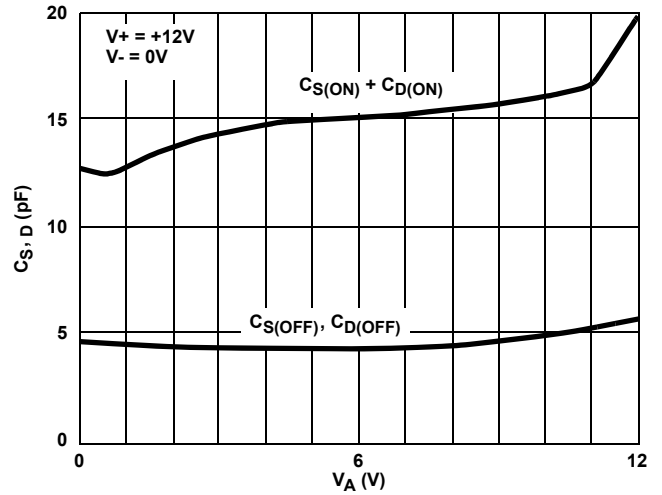


FIGURE 19. SWITCHING THRESHOLD vs SUPPLY VOLTAGE

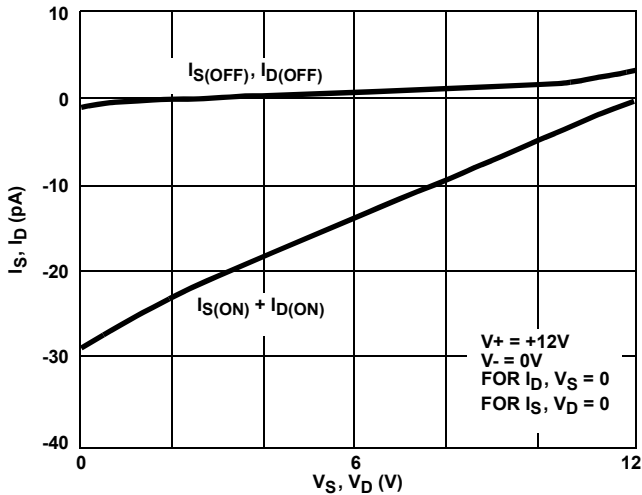
**Typical Performance Curves** (Continued)



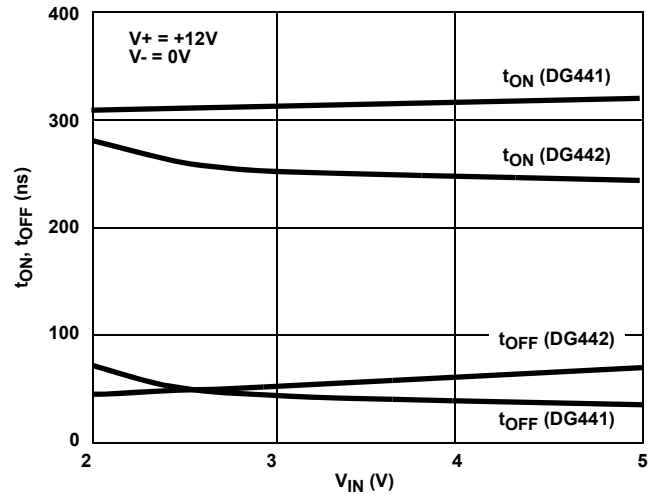
**FIGURE 20. SOURCE/DRAIN CAPACITANCE vs ANALOG VOLTAGE**



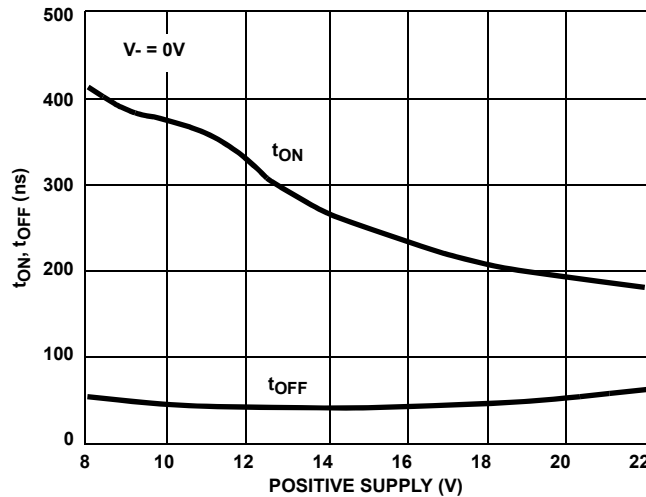
**FIGURE 21. SOURCE/DRAIN CAPACITANCE vs ANALOG VOLTAGE (SINGLE 12V SUPPLY)**



**FIGURE 22. SOURCE/DRAIN LEAKAGE CURRENTS (SINGLE 12V SUPPLY)**



**FIGURE 23. SWITCHING TIME vs INPUT VOLTAGE (SINGLE 12V SUPPLY)**



**FIGURE 24. SWITCHING TIME vs SINGLE SUPPLY VOLTAGE (DG441)**

### Die Characteristics

**DIE DIMENSIONS:**

2160 $\mu$ m x 1760 $\mu$ m x 485 $\mu$ m

**METALLIZATION:**

Type: SiAl

Thickness: 12k $\text{\AA}$   $\pm$  1k $\text{\AA}$

**PASSIVATION:**

Type: Nitride

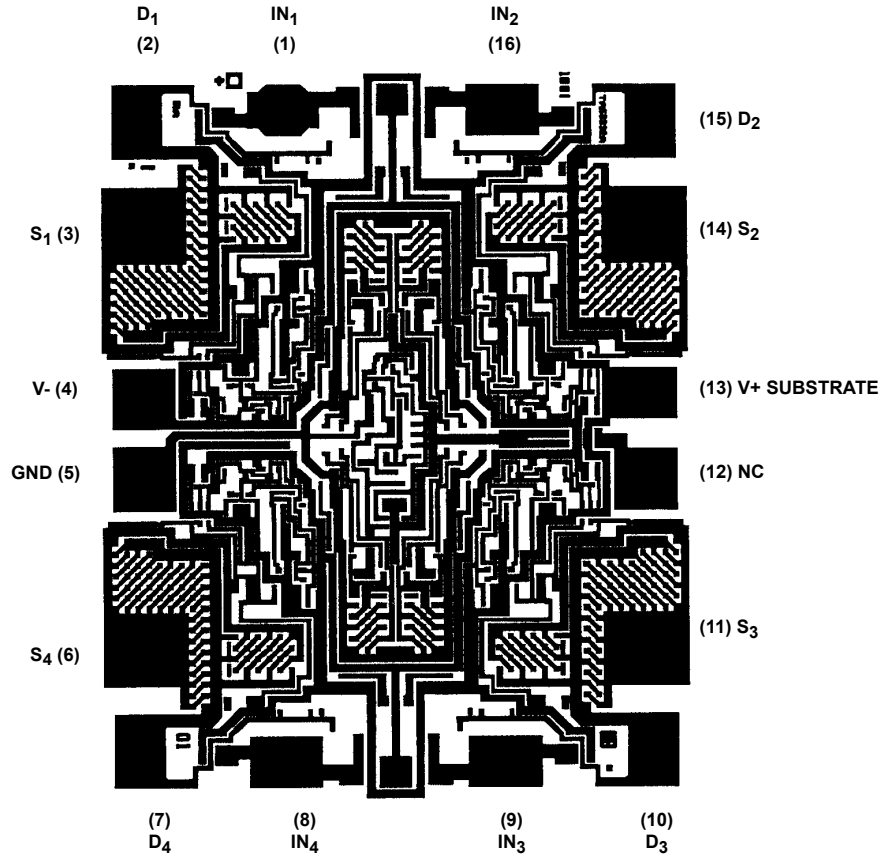
Thickness: 8k $\text{\AA}$   $\pm$  1k $\text{\AA}$

**WORST CASE CURRENT DENSITY:**

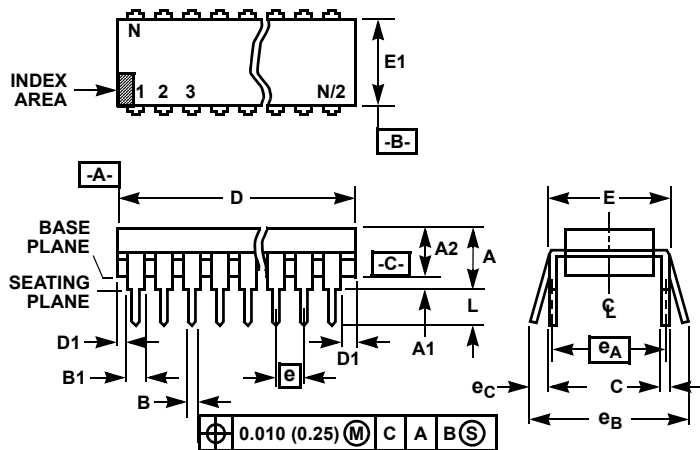
9.1 x 10<sup>4</sup> A/cm<sup>2</sup>

### Metallization Mask Layout

DG441, DG442



### Dual-In-Line Plastic Packages (PDIP)



**NOTES:**

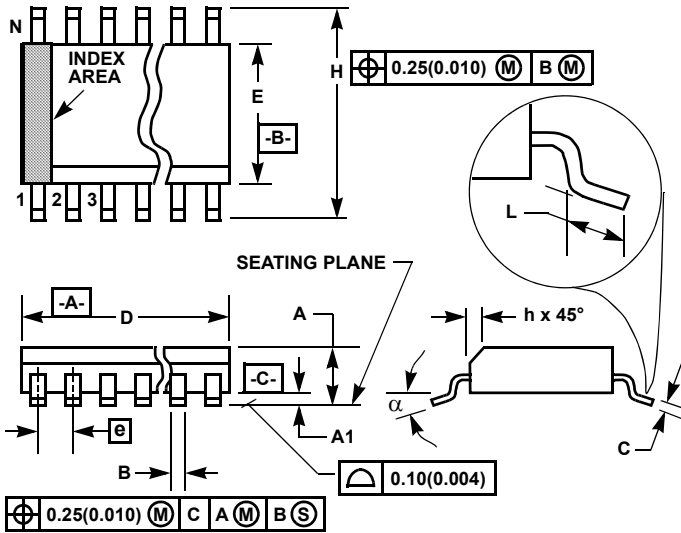
1. Controlling Dimensions: INCH. In case of conflict between English and Metric dimensions, the inch dimensions control.
2. Dimensioning and tolerancing per ANSI Y14.5M-1982.
3. Symbols are defined in the "MO Series Symbol List" in Section 2.2 of Publication No. 95.
4. Dimensions A, A1 and L are measured with the package seated in JEDEC seating plane gauge GS-3.
5. D, D1, and E1 dimensions do not include mold flash or protrusions. Mold flash or protrusions shall not exceed 0.010 inch (0.25mm).
6. E and  $e_A$  are measured with the leads constrained to be perpendicular to datum -C-.
7.  $e_B$  and  $e_C$  are measured at the lead tips with the leads unconstrained.  $e_C$  must be zero or greater.
8. B1 maximum dimensions do not include dambar protrusions. Dambar protrusions shall not exceed 0.010 inch (0.25mm).
9. N is the maximum number of terminal positions.
10. Corner leads (1, N, N/2 and N/2 + 1) for E8.3, E16.3, E18.3, E28.3, E42.6 will have a B1 dimension of 0.030 - 0.045 inch (0.76 - 1.14mm).

**E16.3 (JEDEC MS-001-BB ISSUE D)  
16 LEAD DUAL-IN-LINE PLASTIC PACKAGE**

SYMBOL	INCHES		MILLIMETERS		NOTES
	MIN	MAX	MIN	MAX	
A	-	0.210	-	5.33	4
A1	0.015	-	0.39	-	4
A2	0.115	0.195	2.93	4.95	-
B	0.014	0.022	0.356	0.558	-
B1	0.045	0.070	1.15	1.77	8, 10
C	0.008	0.014	0.204	0.355	-
D	0.735	0.775	18.66	19.68	5
D1	0.005	-	0.13	-	5
E	0.300	0.325	7.62	8.25	6
E1	0.240	0.280	6.10	7.11	5
e	0.100 BSC		2.54 BSC		-
$e_A$	0.300 BSC		7.62 BSC		6
$e_B$	-	0.430	-	10.92	7
L	0.115	0.150	2.93	3.81	4
N	16		16		9

Rev. 0 12/93

**Small Outline Plastic Packages (SOIC)**



**M16.15 (JEDEC MS-012-AC ISSUE C)**  
**16 LEAD NARROW BODY SMALL OUTLINE PLASTIC PACKAGE**

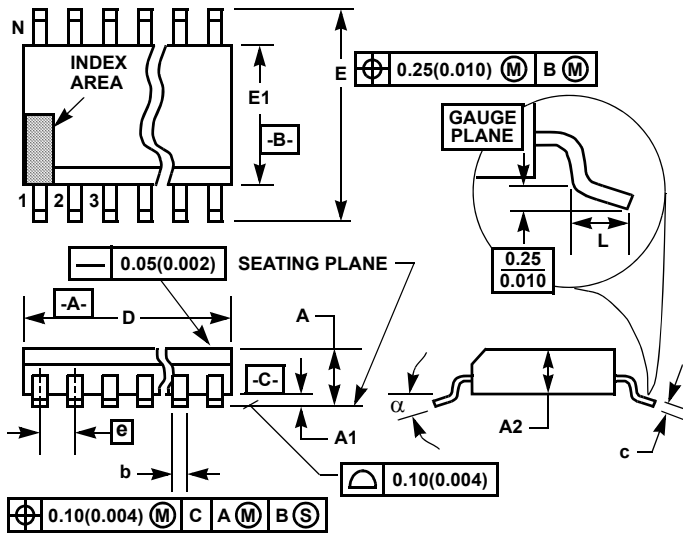
SYMBOL	INCHES		MILLIMETERS		NOTES
	MIN	MAX	MIN	MAX	
A	0.0532	0.0688	1.35	1.75	-
A1	0.0040	0.0098	0.10	0.25	-
B	0.013	0.020	0.33	0.51	9
C	0.0075	0.0098	0.19	0.25	-
D	0.3859	0.3937	9.80	10.00	3
E	0.1497	0.1574	3.80	4.00	4
e	0.050 BSC		1.27 BSC		-
H	0.2284	0.2440	5.80	6.20	-
h	0.0099	0.0196	0.25	0.50	5
L	0.016	0.050	0.40	1.27	6
N	16		16		7
$\alpha$	0°	8°	0°	8°	-

**NOTES:**

1. Symbols are defined in the "MO Series Symbol List" in Section 2.2 of Publication Number 95.
2. Dimensioning and tolerancing per ANSI Y14.5M-1982.
3. Dimension "D" does not include mold flash, protrusions or gate burrs. Mold flash, protrusion and gate burrs shall not exceed 0.15mm (0.006 inch) per side.
4. Dimension "E" does not include interlead flash or protrusions. Interlead flash and protrusions shall not exceed 0.25mm (0.010 inch) per side.
5. The chamfer on the body is optional. If it is not present, a visual index feature must be located within the crosshatched area.
6. "L" is the length of terminal for soldering to a substrate.
7. "N" is the number of terminal positions.
8. Terminal numbers are shown for reference only.
9. The lead width "B", as measured 0.36mm (0.014 inch) or greater above the seating plane, shall not exceed a maximum value of 0.61mm (0.024 inch).
10. Controlling dimension: MILLIMETER. Converted inch dimensions are not necessarily exact.

Rev. 1 6/05

**Thin Shrink Small Outline Plastic Packages (TSSOP)**



**M16.173**  
16 LEAD THIN SHRINK SMALL OUTLINE PLASTIC PACKAGE

SYMBOL	INCHES		MILLIMETERS		NOTES
	MIN	MAX	MIN	MAX	
A	-	0.043	-	1.10	-
A1	0.002	0.006	0.05	0.15	-
A2	0.033	0.037	0.85	0.95	-
b	0.0075	0.012	0.19	0.30	9
c	0.0035	0.008	0.09	0.20	-
D	0.193	0.201	4.90	5.10	3
E1	0.169	0.177	4.30	4.50	4
e	0.026 BSC		0.65 BSC		-
E	0.246	0.256	6.25	6.50	-
L	0.020	0.028	0.50	0.70	6
N	16		16		7
α	0°	8°	0°	8°	-

**NOTES:**

1. These package dimensions are within allowable dimensions of JEDEC MO-153-AB, Issue E.
2. Dimensioning and tolerancing per ANSI Y14.5M-1982.
3. Dimension "D" does not include mold flash, protrusions or gate burrs. Mold flash, protrusion and gate burrs shall not exceed 0.15mm (0.006 inch) per side.
4. Dimension "E1" does not include interlead flash or protrusions. Interlead flash and protrusions shall not exceed 0.15mm (0.006 inch) per side.
5. The chamfer on the body is optional. If it is not present, a visual index feature must be located within the crosshatched area.
6. "L" is the length of terminal for soldering to a substrate.
7. "N" is the number of terminal positions.
8. Terminal numbers are shown for reference only.
9. Dimension "b" does not include dambar protrusion. Allowable dambar protrusion shall be 0.08mm (0.003 inch) total in excess of "b" dimension at maximum material condition. Minimum space between protrusion and adjacent lead is 0.07mm (0.0027 inch).
10. Controlling dimension: MILLIMETER. Converted inch dimensions are not necessarily exact. (Angles in degrees)

Rev. 1 2/02

© Copyright Intersil Americas LLC 1999-2006. All Rights Reserved.  
All trademarks and registered trademarks are the property of their respective owners.

For additional products, see [www.intersil.com/en/products.html](http://www.intersil.com/en/products.html)

Intersil products are manufactured, assembled and tested utilizing ISO9001 quality systems as noted in the quality certifications found at [www.intersil.com/en/support/qualandreliability.html](http://www.intersil.com/en/support/qualandreliability.html)

*Intersil products are sold by description only. Intersil may modify the circuit design and/or specifications of products at any time without notice, provided that such modification does not, in Intersil's sole judgment, affect the form, fit or function of the product. Accordingly, the reader is cautioned to verify that datasheets are current before placing orders. Information furnished by Intersil is believed to be accurate and reliable. However, no responsibility is assumed by Intersil or its subsidiaries for its use; nor for any infringements of patents or other rights of third parties which may result from its use. No license is granted by implication or otherwise under any patent or patent rights of Intersil or its subsidiaries.*

For information regarding Intersil Corporation and its products, see [www.intersil.com](http://www.intersil.com)