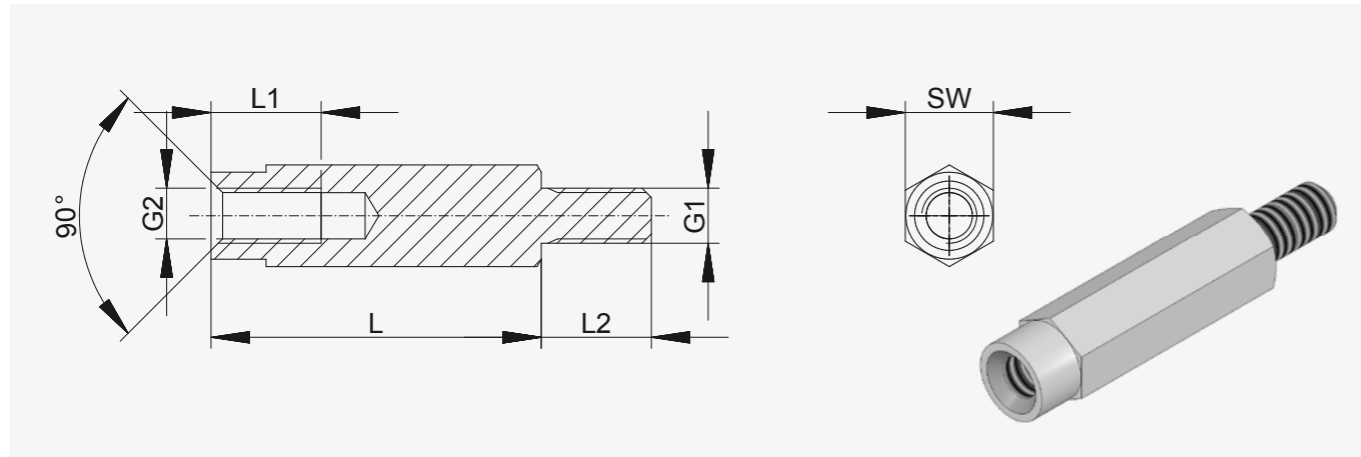


# Spacer bolts with metric threads

## Polyamide



### Spacer bolts

**Type** hexagonal  
**Design** internal / external without undercut  
**Material** Polyamide 6.6  
**Colour** black  
**MOQ** 100 pcs

#### Internal thread lengths [mm]

L	L1
4	2.5
5	3.0
from 6	4.0
from 8	6.0
from 10	8.0
from 12	10.0

#### External thread lengths [mm]

G1=G2	L2
M2.5	8
M3	8
M4	8
M5	8
M6	10

Contact resistance: DIN 53 482: ~ 10<sup>12</sup> Ohm / cm  
 Dielectric strength: DIN 54 481: 40 kV / mm  
 Tolerance for length dimensions: +/- 0.1 mm

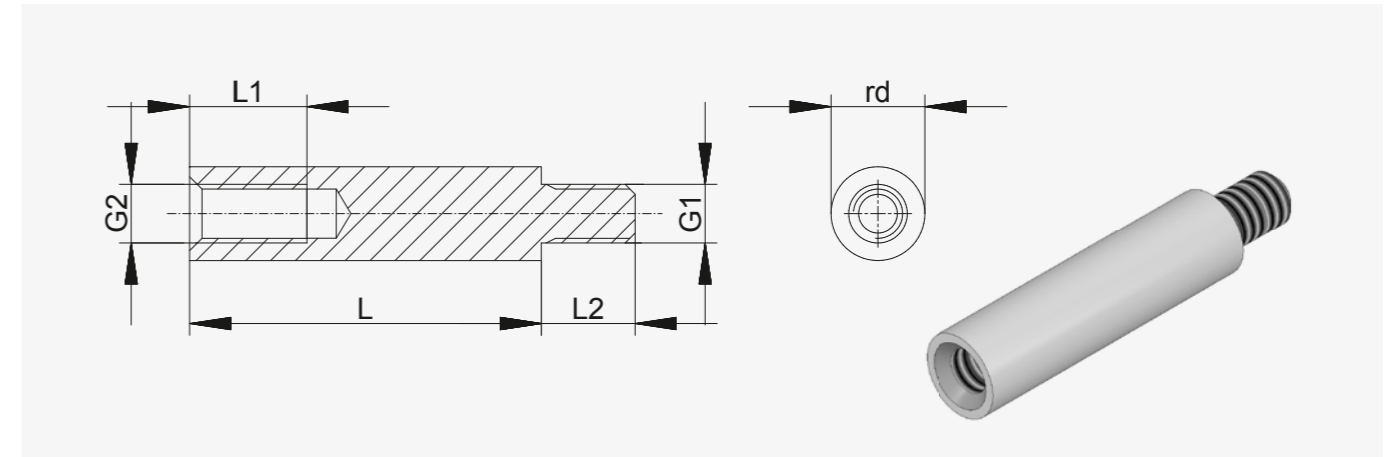
Order number	Hexagonal size (SW)	Thread (G1/G2)	Standard lengths in mm (L)
282 x (length)	SW5	M2.5	from 4 mm to 55 mm
285 x	SW6	M3	from 4 mm to 61 mm
287 x	SW8	M4	from 5 mm to 70 mm
288 x	SW10	M5	from 8 mm to 70 mm
289 x	SW10	M6	from 8 mm to 65 mm

Order sample: 282 x 15 = DIA / polyamide / SW5 / M2.5 x 15



# Spacer bolts with metric threads

## Polyamide



### Spacer bolts

**Type** round  
**Design** internal / external optional without undercut  
**Material** polyamide 6.6  
**Colour** black  
**MOQ** 100 pcs

#### Internal thread lengths [mm]

L	L1
4	2.5
5	3.5
from 6	4.0
from 8	6.0
from 10	8.0
from 12	10.0

#### External thread lengths [mm]

G1	L2
M2.5	8
M3	8
M4	8
M5	8

Contact resistance: DIN 53 482: ~ 10<sup>12</sup> Ohm / cm  
 Dielectric strength: DIN 54 481: 40 kV / mm  
 Tolerance for length dimensions: +/- 0.1 mm

Order number	Diameter (mm) (rd)	Thread (G2)	Standard lengths in mm (L)
282rd x (length)	5	M2.5	from 4 mm to 55 mm
285rd x	6	M3	from 4 mm to 61 mm
287rd x	8	M4	from 5 mm to 61 mm
288rd x	10	M5	from 8 mm to 65 mm

Order sample: 285rd x 30 = DIA / polyamide / rd6 / M3 x 30

