

e-chains® | 2400 snap-open along inner radius from both sides

e-chains® | 2500 snap-open along outer radius from both sides | Standard

| e-chains® snap-open along the inner radius | e-chains® snap-open along the outer radius | Standard | <i>Bi</i> [mm] | <i>Ba</i> [mm] | <i>R</i> Bend radii [mm] | 2400 [kg/m] | 2500 [kg/m] |
|--------------------------------------------------|--------------------------------------------------|----------|-------------------|-------------------|-----------------------------------------------------|----------------|----------------|
| 2400. 02 .R.0 | 2500. 02 .R.0 ¹⁾ | | 25 | 41 | 055 075 100 125 150 175 200 225 250 | ≈ 0,77 | ≈ 0,77 |
| 2400. 03 .R.0 | 2500. 03 .R.0 ¹⁾ | | 38 | 54 | 055 075 100 125 150 175 200 225 250 | ≈ 0,83 | ≈ 0,83 |
| 2400. 05 .R.0 | 2500. 05 .R.0 ¹⁾ | | 57 | 73 | 055 075 100 125 150 175 200 225 250 | ≈ 0,91 | ≈ 0,91 |
| 2400. 07 .R.0 | 2500. 07 .R.0 ¹⁾ | | 77 | 93 | 055 075 100 125 150 175 200 225 250 | ≈ 1,01 | ≈ 1,01 |
| 2400. 09 .R.0 | 2500. 09 .R.0 ¹⁾ | | 89 | 105 | 055 075 100 125 150 175 200 225 250 | ≈ 1,08 | ≈ 1,08 |
| 2400. 10 .R.0 | 2500. 10 .R.0 ¹⁾ | | 103 | 119 | 055 075 100 125 150 175 200 225 250 | ≈ 1,15 | ≈ 1,15 |
| 2400. 12 .R.0 | 2500. 12 .R.0 ¹⁾ | | 125 | 141 | 055 075 100 125 150 175 200 225 250 | ≈ 1,22 | ≈ 1,22 |

1) ⚠ ESD/ATEX version available from stock

Half e-tubes, series 2450 and full e-tube series 2480 ► from page 292

Non snap-open e-chains® E2 medium classics, series 200 ► www.igus.eu/200

Supplement Part No. with required radius (*R*). Example: 2500.03.100.0



ESD/ATEX permanently conductive e-chains® - 2500 several widths with delivery from stock:
inner widths *Bi* 25 - 125, radii *R* 055 - 175. Full ESD product range ► www.igus.eu/ESD

Open e-chains® in a flash with the igus® e-chain® opener

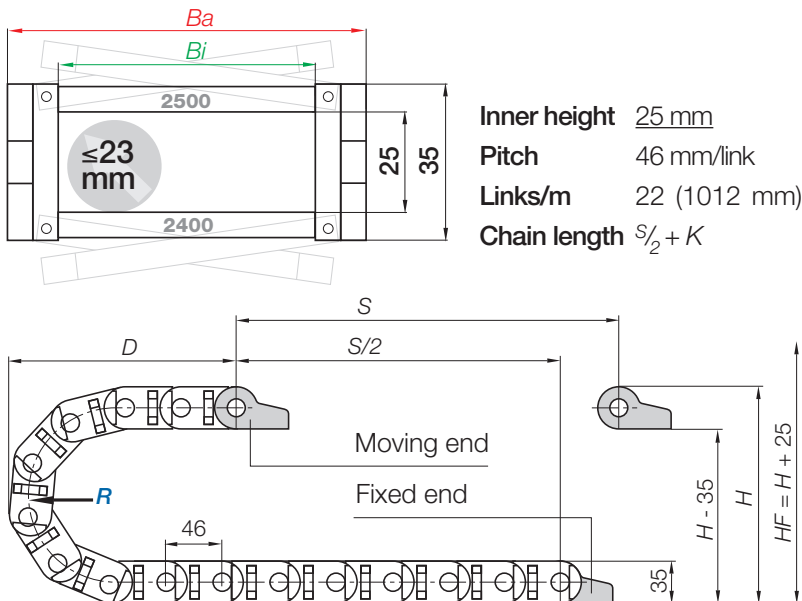
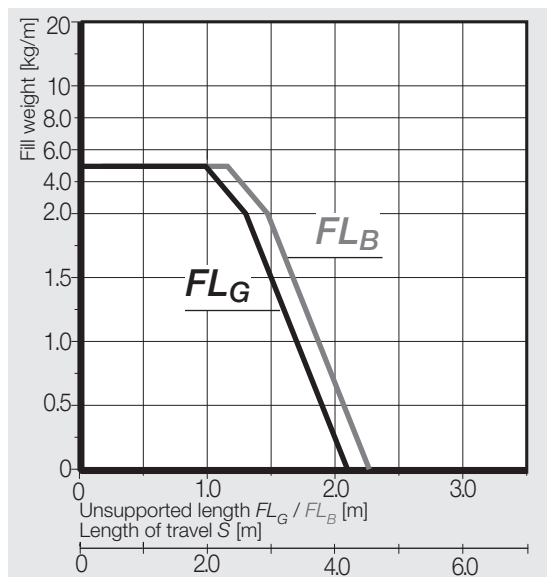
Reduce assembly time from 33 to 2 sec. with the igus® e-chain® opener. Open a long piece of e-chain® in one go. Part No. 908.254.2400 for series 2400/2500. For widths *Bi* [mm]: 05, 07, 09

More information ► www.igus.eu/savetime





Unsupported applications | Short travels



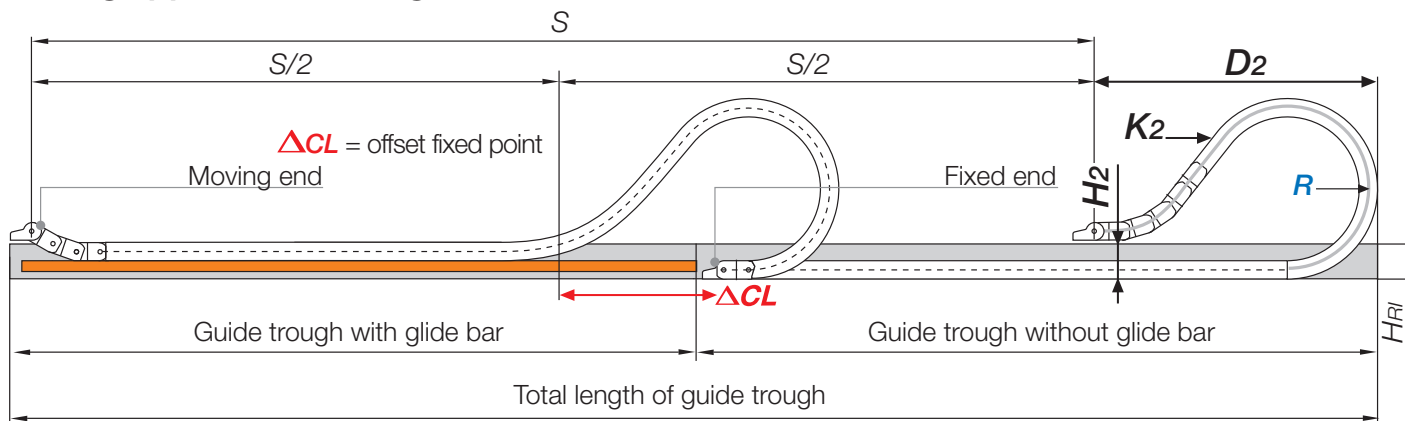
Inner height 25 mm
Pitch 46 mm/link
Links/m 22 (1012 mm)
Chain length $\frac{S}{2} + K$

| R | 055 | 075 | 100 | 125 | 150 | 175 | 200 | 225 | 250 |
|---|-----|-----|-----|-----|-----|-----|-----|-----|-----|
| H | 145 | 185 | 235 | 285 | 335 | 385 | 435 | 485 | 535 |
| D | 142 | 162 | 187 | 212 | 237 | 262 | 287 | 312 | 337 |
| K | 265 | 330 | 410 | 485 | 565 | 645 | 725 | 800 | 880 |

The required clearance height: $H_F = H + 25\text{ mm}$ (with 1,5 kg/m fill weight)

Before using series 2400 on long travels please consult igus®.

Gliding applications | Long travels from 10 m to max. 100 m



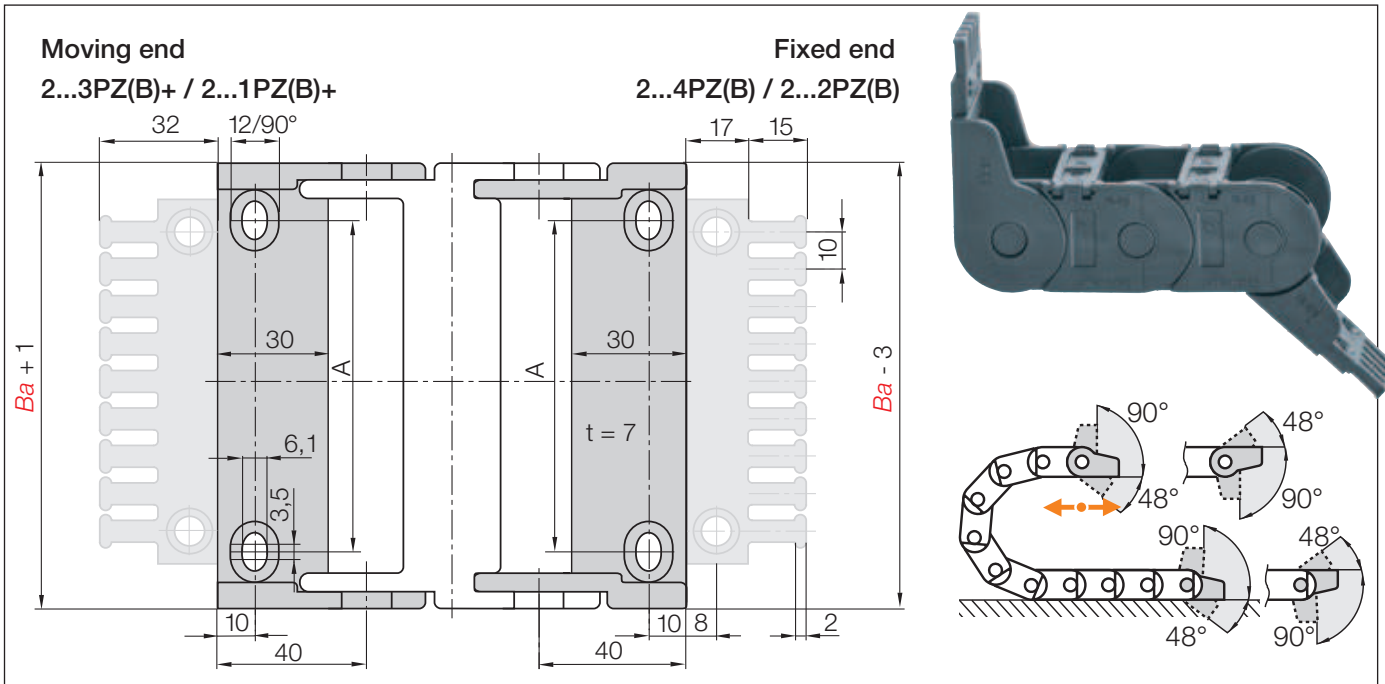
Note: for long travel (gliding) applications, please consult igus®.

For long travels, igus® specifies series **2500** that snaps open along the outer radius.

In case of travels between 4 and 10 m we recommend a longer unsupported length. Chain length $\frac{S}{2} + K_2$

| R | 055 | 075 | 100 | 125 | 150 | 175 | 200 | 225 | 250 |
|-------------------------------|-----|-----|-----|-----|------|------|------|------|------|
| H ₂ | 110 | 150 | 100 | 100 | 100 | 100 | 100 | 100 | 100 |
| D ₂ ⁺²⁵ | 142 | 162 | 380 | 440 | 590 | 755 | 950 | 1040 | 1130 |
| K ₂ | 265 | 330 | 644 | 736 | 1012 | 1242 | 1472 | 1610 | 1794 |
| ΔCL | - | - | 204 | 244 | 364 | 504 | 674 | 754 | 804 |

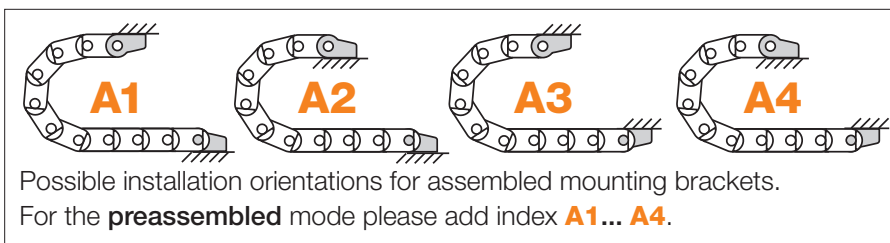
Before using series 2400 on long travels please consult igus®.



Polymer pivoting | Recommended for unsupported and gliding applications | **Standard Polymer locking** | Recommended for vertical hanging and standing applications

| Width Index | Standard | Part No. full set pivoting | | Part No. full set locking | | A [mm] | Number of teeth |
|-------------|----------|----------------------------|------------------------|---------------------------|------------------------|--------|-----------------|
| | | with tiewrap plates | without tiewrap plates | with tiewrap plates | without tiewrap plates | | |
| .02. | ▶ | 2020.34PZB+ | 2020.34PZ+ | 2020.12PZB+ | 2020.12PZ+ | 12 | 3 |
| .03. | ▶ | 2030.34PZB+ | 2030.34PZ+ | 2030.12PZB+ | 2030.12PZ+ | 25 | 4 |
| .05. | ▶ | 2050.34PZB+ | 2050.34PZ+ | 2050.12PZB+ | 2050.12PZ+ | 44 | 6 |
| .07. | ▶ | 2070.34PZB+ | 2070.34PZ+ | 2070.12PZB+ | 2070.12PZ+ | 64 | 8 |
| .09. | ▶ | 2090.34PZB+ | 2090.34PZ+ | 2090.12PZB+ | 2090.12PZ+ | 77 | 9 |
| .10. | ▶ | 2100.34PZB+ | 2100.34PZ+ | 2100.12PZB+ | 2100.12PZ+ | 90 | 10 |
| .12. | ▶ | 2125.34PZB+ | 2125.34PZ+ | 2125.12PZB+ | 2125.12PZ+ | 112 | 12 |

Full set with tiewrap plate + 10 cable tiewraps, please add index **K1+** ▶ e.g. 2020.34PZBK1+



Part No. structure

2020.34PZB+ A1

A... must be indicated on preassembled configurations

With strain relief tiewrap plates

Full set pivoting = 34

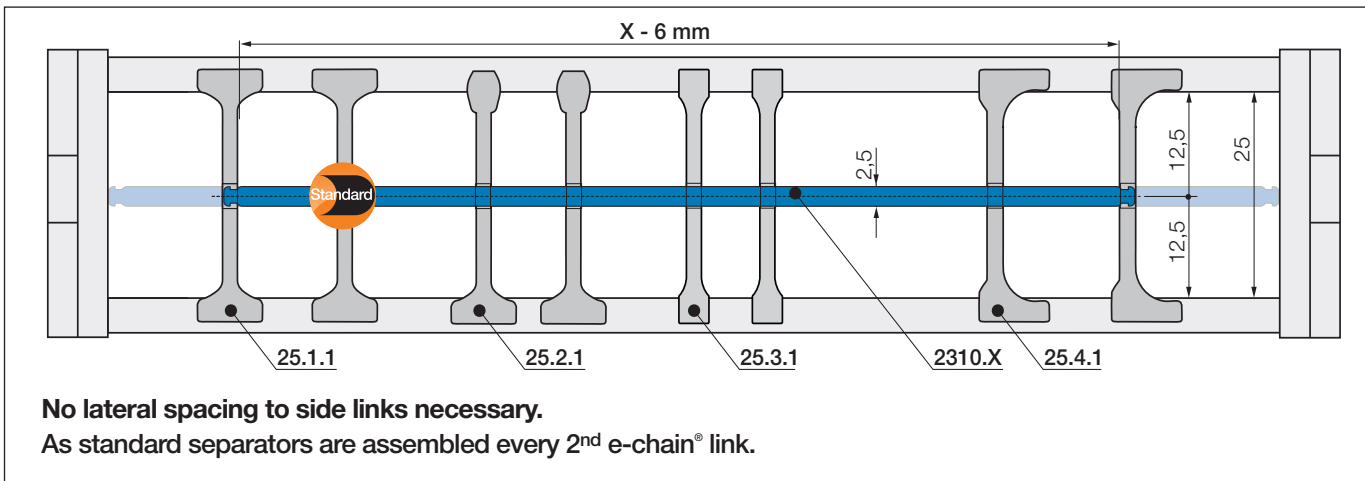

Mounting bracket for selected width index



Strain relief e.g. clamps, tiewrap plates, nuggets and plug-in clips are available from stock. The complete chainfix range with order options ▶ from page 656

Interior separation | New generation


Previous interior separation with optional elements ► www.igus.eu/2400 ► www.igus.eu/2500

Standard separator, wide base

| | |
|-------------|--------|
| unassembled | 25.1 |
| assembled | 25.1.1 |


Standard - for any application
Separator with a wide base for maximum holding strength in the e-chain®.



Separator, narrow head

| | |
|-------------|--------|
| unassembled | 25.2 |
| assembled | 25.2.1 |


For even faster installation
Wide on one side for high holding strength, narrow on opposite side for easy cable fitting.



Separator, narrow base

| | |
|-------------|--------|
| unassembled | 25.3 |
| assembled | 25.3.1 |


For thin cables
Separator with a narrow base for a large number of thin cables side by side. Saves space in e-chains®.



Separator, asymmetrical

| | |
|-------------|--------|
| unassembled | 25.4 |
| assembled | 25.4.1 |

For side-mounted applications
Asymmetrical separator, for defined distance. No additional spacers required.



Full-width shelf, lockable

| | |
|-------------|--------|
| unassembled | 2300.X |
| assembled | 2310.X |

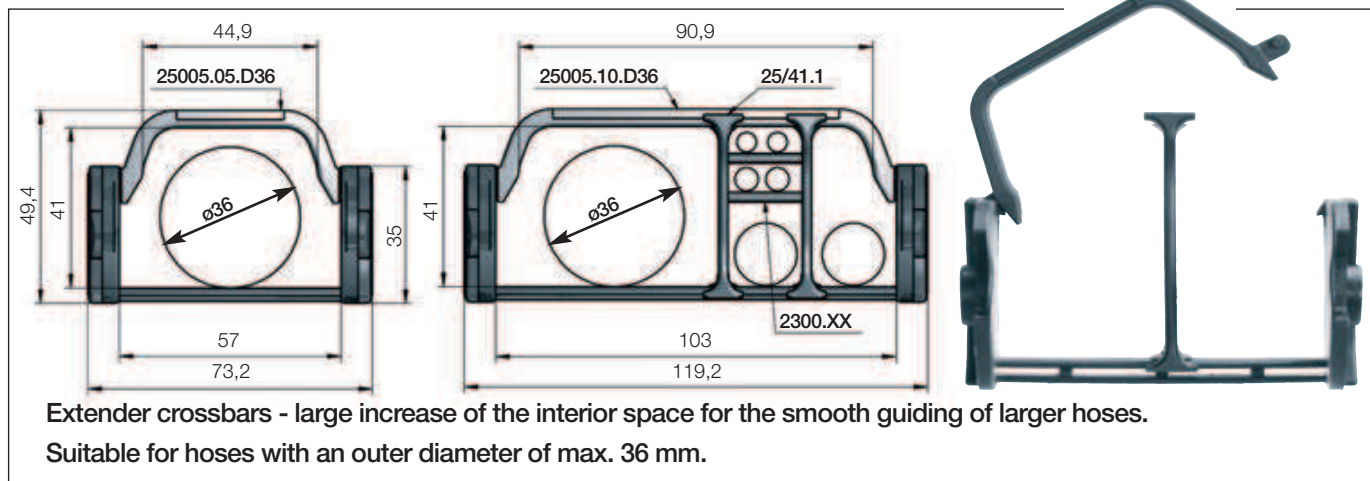
Horizontal separation
Full-width shelf locks securely into separators at both ends, giving a fixed width. Separators can be moved freely over the shelf in horizontal direction. Can be fitted at one height.

Lockable full-width shelves



| Width X [mm] | unassembled | assembled | Width X [mm] | unassembled | assembled | Width X [mm] | unassembled | assembled |
|--------------|-------------|-----------|--------------|-------------|-----------|--------------|-------------|-----------|
| 015 | 2300.015 | 2310.015 | 060 | 2300.060 | 2310.060 | 087 | 2300.087 | 2310.087 |
| 025 | 2300.025 | 2310.025 | 062 | 2300.062 | 2310.062 | 090 | 2300.090 | 2310.090 |
| 030 | 2300.030 | 2310.030 | 065 | 2300.065 | 2310.065 | 100 | 2300.100 | 2310.100 |
| 038 | 2300.038 | 2310.038 | 070 | 2300.070 | 2310.070 | 103 | 2300.103 | 2310.103 |
| 040 | 2300.040 | 2310.040 | 075 | 2300.075 | 2310.075 | 110 | 2300.110 | 2310.110 |
| 050 | 2300.050 | 2310.050 | 077 | 2300.077 | 2310.077 | 120 | 2300.120 | 2310.120 |
| 057 | 2300.057 | 2310.057 | 080 | 2300.080 | 2310.080 | 125 | 2300.125 | 2310.125 |

Extender crossbars

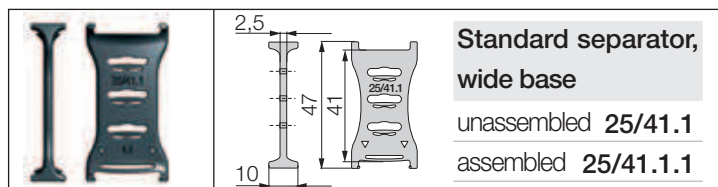


| Extender crossbars for e-chains® snap-open along the inner radius | Extender crossbars for e-chains® snap-open along the outer radius | Bi [mm] | Ba [mm] | R Bend radii [mm] |
|-------------------------------------------------------------------|-------------------------------------------------------------------|---------|---------|------------------------------------------------------|
| 2400.05 D36.R.0 | 2500.05 D36.R.0 | 57 | 73 | 055* 075 100 125 150 175 200 225 250 |
| 2400.10 D36.R.0 | 2500.10 D36.R.0 | 103 | 119 | 055* 075 100 125 150 175 200 225 250 |

*Radius 055 only possible with e-chains® series 2500

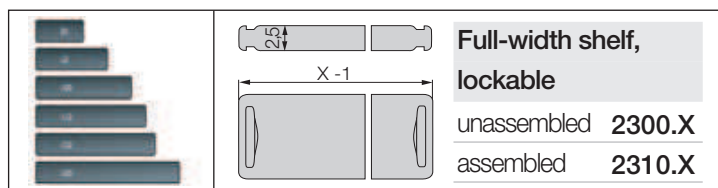
Supplement Part No. with required radius (R). Example: 2500.05D36.100.0

Interior separation for extender crossbars



Standard separator, wide base

For maximum holding strength and safe standing. In standard configuration separators are assembled every 2nd link.



Horizontal separation

Full-width shelf locks securely into separators at both ends, giving a fixed width. Separators can be moved freely over the shelf in horizontal direction. Can be fitted at 3 different heights.

Separator with integrated strain relief

Strain relief separator Part No. 2020.Z can be integrated into the mounting bracket and can be placed at any point of the e-chain®. It combines strain relief and interior separation, it can be installed on the first or last e-chain® link and is easy to assemble without any screws. **More information ► from page 676**



Optional: support tray kit - for support of the lower run

- Simple one-piece support trays according to your requirements and specification
 - Easy installation onto your machine, on profiles or wall-mount brackets
 - igus® support tray - available in 2 types and 4 options
- More information ► from page 740**

