

Micro Installation Beacons - 23x

Your benefits

Despite their size, micro installation beacons from the 230 / 231 / 232 range will provide good all-round visibility. The range includes control panel indicator lights.

- The industry standard for control panels
- Easy to install, even where space is restricted

Typical applications

Signalling faults and statuses

- On small machines and equipment
- In building technology

Installation options

- M22 single-hole mounting including nut
- M20 for direct installation, in safety switches, for example

Features

- Available with a permanent light
- Powerful xenon flash light for increased visibility



Size comparison
Micro/Mini/EvoSIGNAL Mini



230 LED Installation Beacon



Mainly sideways illumination

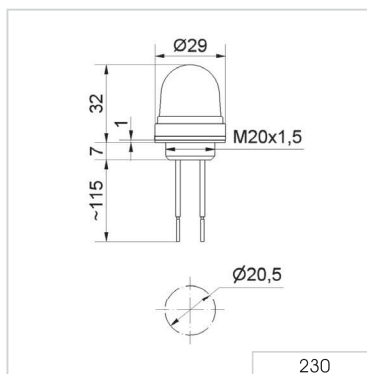


The LED Installation Beacon 230 can for example be used in applications with cable-operated switches or limit switch devices

① TECHNICAL SPECIFICATIONS/ORDER SPECIFICATIONS:

Dimensions (Ø x Height):	29 mm x 32 mm (Protrusion from panel)			
Housing:	PC/ABS-Blend			
Lens:	PC, transparent			
Connection:	2 wires, c. 115 mm long			
Fixing:	Installation mounting for Ø 20.5 mm (M20 x 1.5 mm)			
Life duration:	Up to 100,000 hrs			
Seal included in assembly.				
Voltage:	12 V DC	24 V DC	115 V AC	230 V AC
Current consumption:	80 mA	45 mA	15 mA	20 mA
red	230 100 54	230 100 55	230 100 67	230 100 68
yellow	230 300 54	230 300 55	230 300 67	230 300 68
clear	-	230 400 55	-	-
Further colours on request.				

↔ TECHNICAL DIAGRAM:



24 V





231 LED Installation Beacon

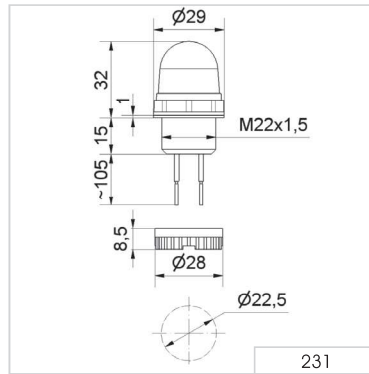


Mainly sideways illumination

① TECHNICAL SPECIFICATIONS/ORDER SPECIFICATIONS:

Dimensions (Ø x Height):	29 mm x 32 mm (Protrusion from panel)			
Housing:	PC/ABS-Blend			
Lens:	PC, transparent			
Connection:	2 wires, c. 105 mm long			
Fixing:	Installation mounting for Ø 22.5 mm (M22 x 1.5 mm)			
Life duration:	Up to 100,000 hrs			
Nut and seal included in assembly.				
Voltage:	12 V DC	24 V DC	115 V AC	230 V AC
Current consumption:	80 mA	45 mA	15 mA	20 mA
red	231 100 54	231 100 55	231 100 67	231 100 68
green	231 200 54	231 200 55	231 200 67	231 200 68
yellow	231 300 54	231 300 55	231 300 67	231 300 68
clear	231 400 54	231 400 55	231 400 67	231 400 68
blue	231 500 54	231 500 55	231 500 67	231 500 68

↔ TECHNICAL DIAGRAM:



24 V



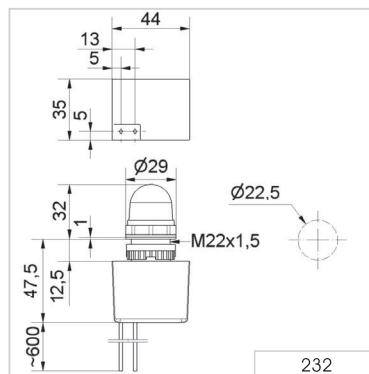
232 Installation Xenon Flashing Beacon



① TECHNICAL SPECIFICATIONS/ORDER SPECIFICATIONS:

Dimensions (Ø x Height):	29 mm x 32 mm (Protrusion from panel)	
Housing:	PC/ABS-Blend	
Lens:	PC, transparent	
Connection:	2 wires, c. 600 mm long	
Fixing:	Installation mounting for Ø 22.5 mm (M22 x 1.5 mm) with anti-twist device	
Flash frequency:	1.5 Hz	
Flash energy:	1 Ws	
Life duration:	4 x 10 ⁶ flashes	
Nut and seal included in assembly.		
Voltage:	24 V DC	230 V AC
Current consumption:	140 mA	20 mA
red	232 100 55	232 100 68
yellow	232 300 55	232 300 68

↳ TECHNICAL DIAGRAM:



24 V